

DIGITAL PIANO

KSP30/20/10

Service Manual

KAWAI

Kawai Musical Instruments
Manufacturing Co., Ltd.

CONTENTS

1.	P.W.B. INFORMATION.....	2
2.	SEMICONDUCTORS LIST.....	2
3.	TOP BOARD OPENING PROCEDURE.....	5
4.	BLOCK DIAGRAM.....	6
5.	HEP-001 PRINTED WIRING BOARD.....	7
6.	HEP-001 CIRCUIT (1/4).....	8
7.	" (2/4).....	9
8.	" (3/4).....	10
9.	" (4/4).....	11
10.	HEP-009 PRINTED WIRING BOARD (1/2).....	12
11.	" (2/2)(SILKSCREEN SOLDER).....	13
12.	HEP-009 CIRCUIT (1/7).....	14
13.	" (2/7).....	15
14.	" (3/7).....	16
15.	" (4/7).....	17
16.	" (5/7).....	18
17.	" (6/7).....	19
18.	" (7/7).....	20
19.	HEP-010,011,012,013,014, PRINTED WIRING BOARDS.....	21
20.	HEP-010 CIRCUIT.....	22
21.	HEP-011 CIRCUIT.....	23
22.	HEP-012,013,014 CIRCUITS.....	24
23.	HEP-006,007 PRINTED WIRING BOARDS.....	25
24.	HEP-006,007 CIRCUITS.....	26
25.	KEYBOARD CIRCUIT.....	27
26.	KEY MATRIX.....	28
27.	TROUBLE SHOOTING.....	29
28.	PARTS LIST.....	30
29.	WIRING CONNECTION for KSP10,20.....	38
30.	WIRING CONNECTION for KSP30.....	39
31.	DISASSEMBLY DRAWING.....	40
	(STAND,PEDAL).....	41

1. P.W.B. INFORMATION

P.W.B. Name	Code No.	
HEP-001(1)	236497	Main P.W.B.(For KSP10)
" (2)	236519	" (For KSP20)
HEP-009(1):D	236509	Main P.W.B.(For KSP30)
" (2):except D	236532	" (")
HEP-010~013(1)	236499	Panel P.W.B.(For KSP10)
" 010~014(2)	236515	" (For KSP30)
" 010~014(3)	236518	" (For KSP20)
HEP-006,007(1):D	236498	Main Amp. Power Supply (For KSP20)
" (2):US,CA	236500	" (For KSP10)
" (3):NE	236501	" (")
" (4):GE110V	236502	" (")
" (5):AU	236503	" (")
" (6):D	236510	" (For KSP30)
" (7):US,CA	236511	" (")
" (8):NE	236512	" (")
" (9):GE110V	236513	" (")
" (10):AU	236514	" (")

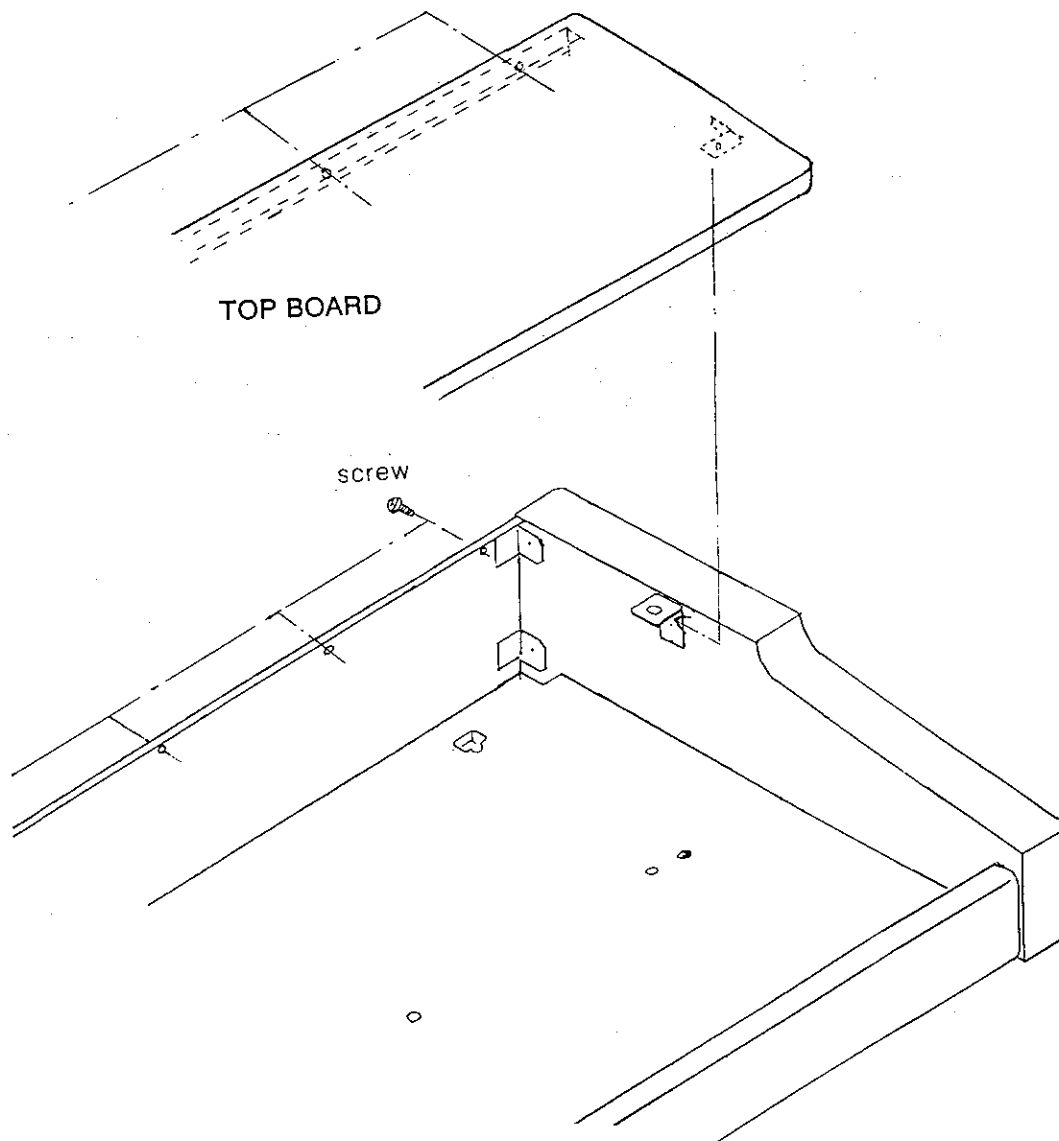
2. SEMICONDUCTORS LIST

	Code No.	Part Name	Pieces			Description
			KSP10	KSP20	KSP30	
IC	804050	74HC04FP	1	1	1	Inverter
	804055	HD74HC541	1	1	1	Buffer/Driver/Receiver
	805154	74HC74	1	1	1	Flip/Flop(Dual D-Type)
	805758	K005FP(QFP64P)	1	1	1	Key Touch Controller
	806448	74HC03	1	1	1	NAND Gate
	806449	74HC08	1	1	2	AND Gate
	806520	74HC139			1	Decoder/Demultiplexer
	806962	MN19411(QFP64P)	1	1	1	ASP
	807020	HD63266F(QFP64P)			1	Floppy Disk Controller
	807657	K015FP(QFP160P)	1	1	2	Sound Source
	808376	HD64180R1F10(QFP80P)			1	CPU
	808476	MT4C4256Z-8	2	2	2	DRAM
	808618	K016FP(QFP80P)	1	1	1	Filter
	808923	TMP96C141F(QFP80P)	1	1	1	CPU
808924	MN64761M(QFP42P)	1	1	1	DA CONVERTER	

Code No.	Part Name	Pieces			Description
		KSP10	KSP20	KSP30	
808925	PD431000AGW-10LL	1	1	1	S.RAM
808926	PD43256AGU-10L	1	1	1	//
808927	74F138SJ	1	1	2	Decoder
808928	74AC139	1	1	1	Decoder
808929	74BC573	2	2	2	Latch
808930	MB3771PF	1	1	1	Reset IC
808931	BA15532F	3	3	3	OP Amp
808932	PC400T	1	1	1	Photo coupler
809270	HM658128ADFP-10			2	PS.RAM
809271	M66220FP			1	Dual Port RAM
809272	HD74UH04			1	INVERTER
809279	74HC157			1	Data Selector
926595	KP069A(SOP44P)	1	1	1	M.ROM
926600	KP070 (//)	1	1	1	//
926605	KP071 (//)	1	1	1	//
926610	HP040 (//)	1	1	1	//
926620	HP042(MBM27C2048-12Z)	1	1	1	EP.ROM
927155	MP090(SOP44P)			1	M.ROM
927160	MP091(//)			1	//
927165	MP092(//)			1	//
927175	HP044(HN27C256AG-10)			1	EP.ROM
926615	HP041(TMS27C240-10JL)	1			//
927855	HP059(//)		1		//
927170	HP043(//)			1	// (Japan)
929365	HP063(//)			1	// (except Japan)
808457	74HC595	8	8	8	Shift Register
808972	74HC165	8	8	8	Shift Register
802889	AN7815F	1	1	1	Regulator
802890	AN7915F	1	1	1	//
804920	M5F7805	1	1		//
808947	STK4152-MK2	1	1	1	Amp IC
808948	M5229P	2	2	2	Equalizer
808949	BA15532N(SIP8P)	2	2	2	OP Amp
809274	STK720B			1	Regulator
809275	M5283P			1	VCA
809276	M5238AL			1	OP Amp

	Code No.	Part Name	Pieces			Description
			KSP10	KSP20	KSP30	
Transistor	808933	2SB1295-6	1	1	1	
	805984	2SD1468SR	3	3	3	
	808950	2SB1322AR	2	2	2	
	808973	DTA114ES	1	1	1	
	808951	2SD1994AR	2	2	2	
Diode	808934	MA741	1	1	1	
	805852	1SR139-100	3	3	3	
	808952	DBF40B	2	2	2	
Zener Diode	809243	GZB6.2C			1	
Oscillator	808935	SMD-49 16.0000MHZ	1	1	1	
	808936	// 20.0000MHZ	1	1	1	
	808937	// 24.0000MHZ	1	1	1	
	808938	// 33.8688MHZ	1	1	1	

3. TOP BOARD OPENING PROCEDURE

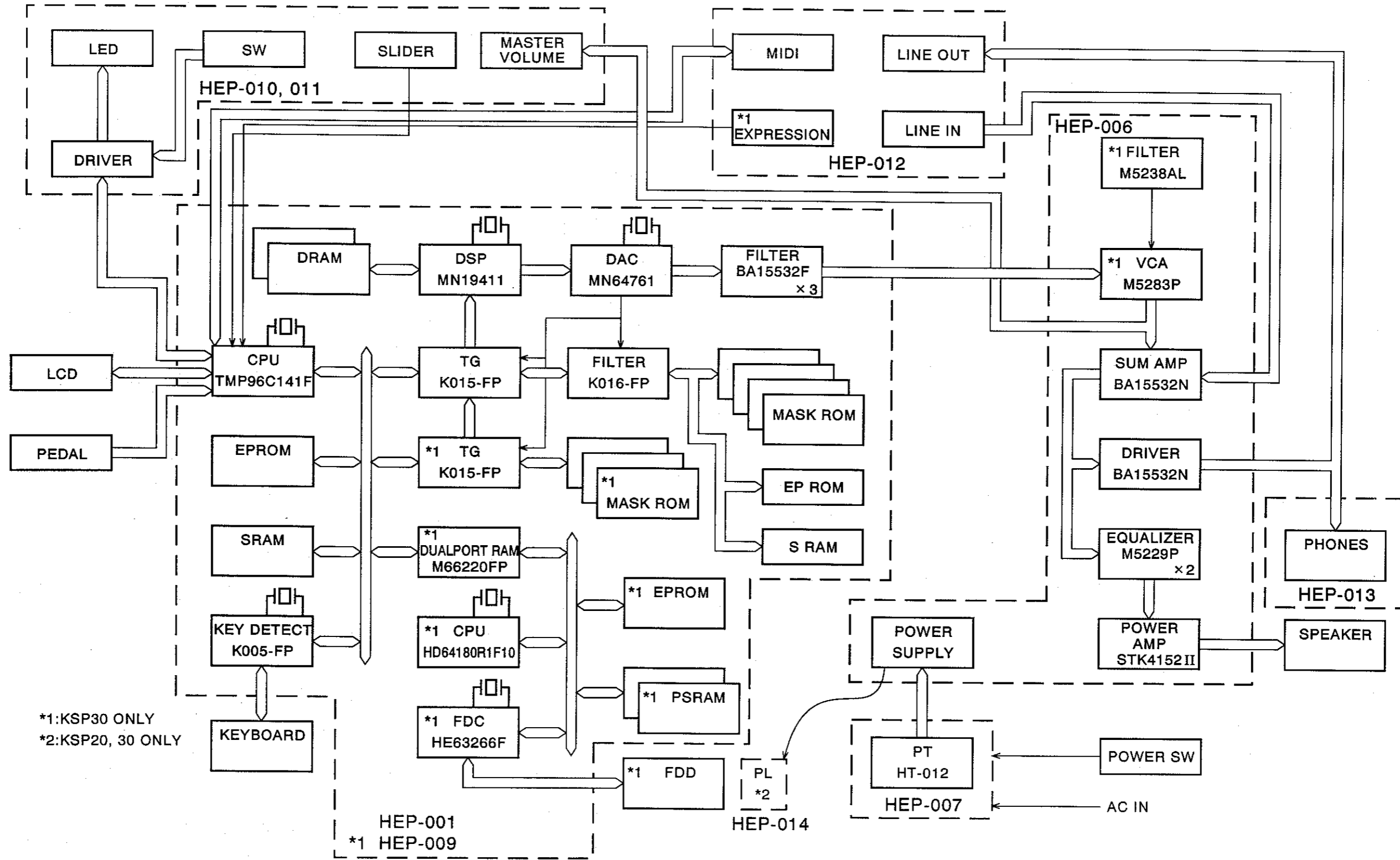


1. Remove the 5 (five) back screws.
2. Slide TOP BOARD forward. (Keyboard side)
3. Lift TOP BOARD up and away from the piano.

A B C D E F G H I

1
2
3
4
5
6
7

4. BLOCK DIAGRAM



A B C D E F G H I

1 5. HEP-001 PRINTED WIRING BOARD 1

2 2

3 3

4 4

5 5

6 6

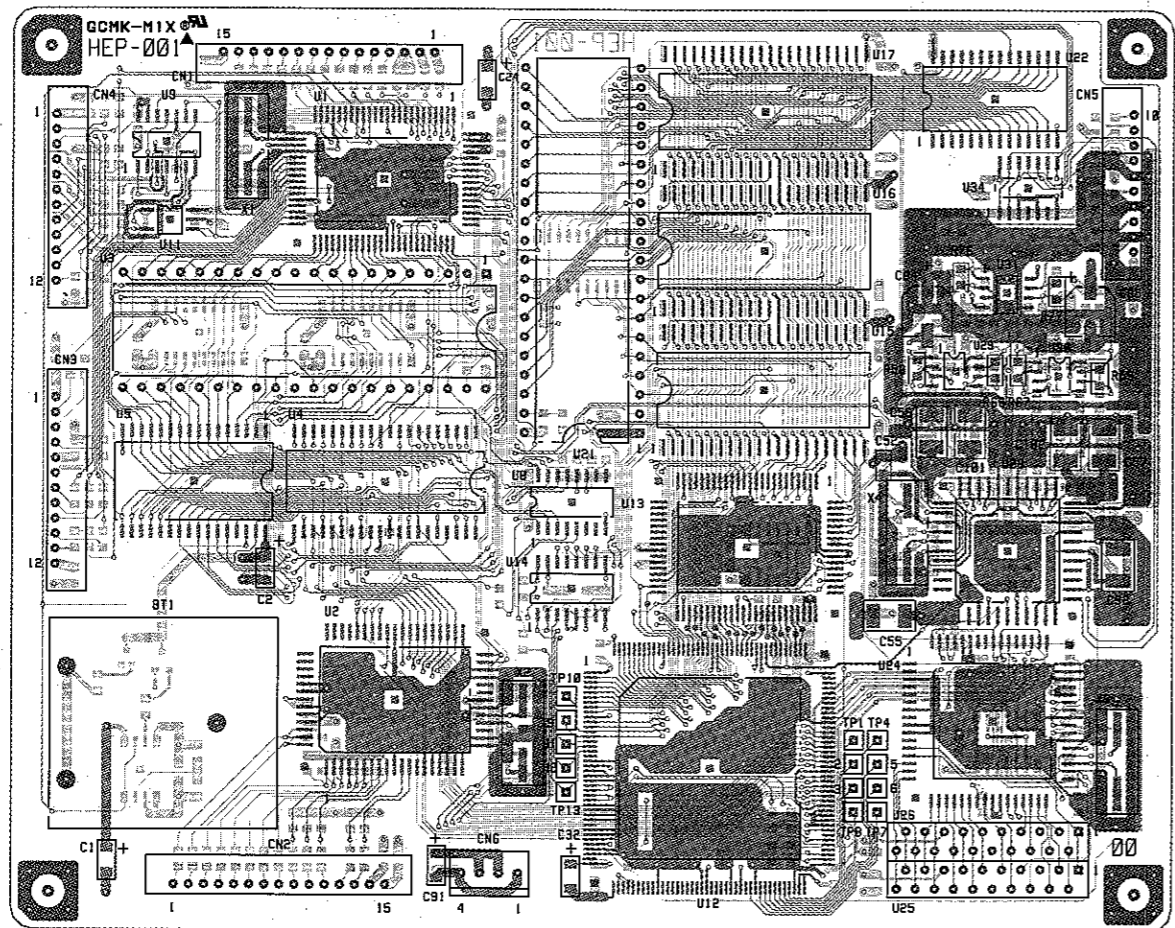
7 7

5. HEP-001 PRINTED WIRING BOARD

to LCD	
K	15
LD7	14
LD6	13
LD5	12
LD4	11
LD3	10
LD2	9
LD1	8
LD0	7
EOLK	6
RW	5
RSEL	4
VEE	3
VCC	2
GND	1
CN1	

HEP-012 <CN2>	
+5D	1
AN3	2
GND	3
THRU	4
MOUT	5
INK	6
INA	7
+5D	8
DAMP	9
SOFT	10
SSTE	11
FG	12
CN4	

HEP-010 <CN3>	
+5D	1
AN0	2
AN1	3
AN2	4
GND	5
GND	6
BLNK	7
PLE	8
PTXD	9
PRXD	10
PSCK	11
+5D	12
CN3	

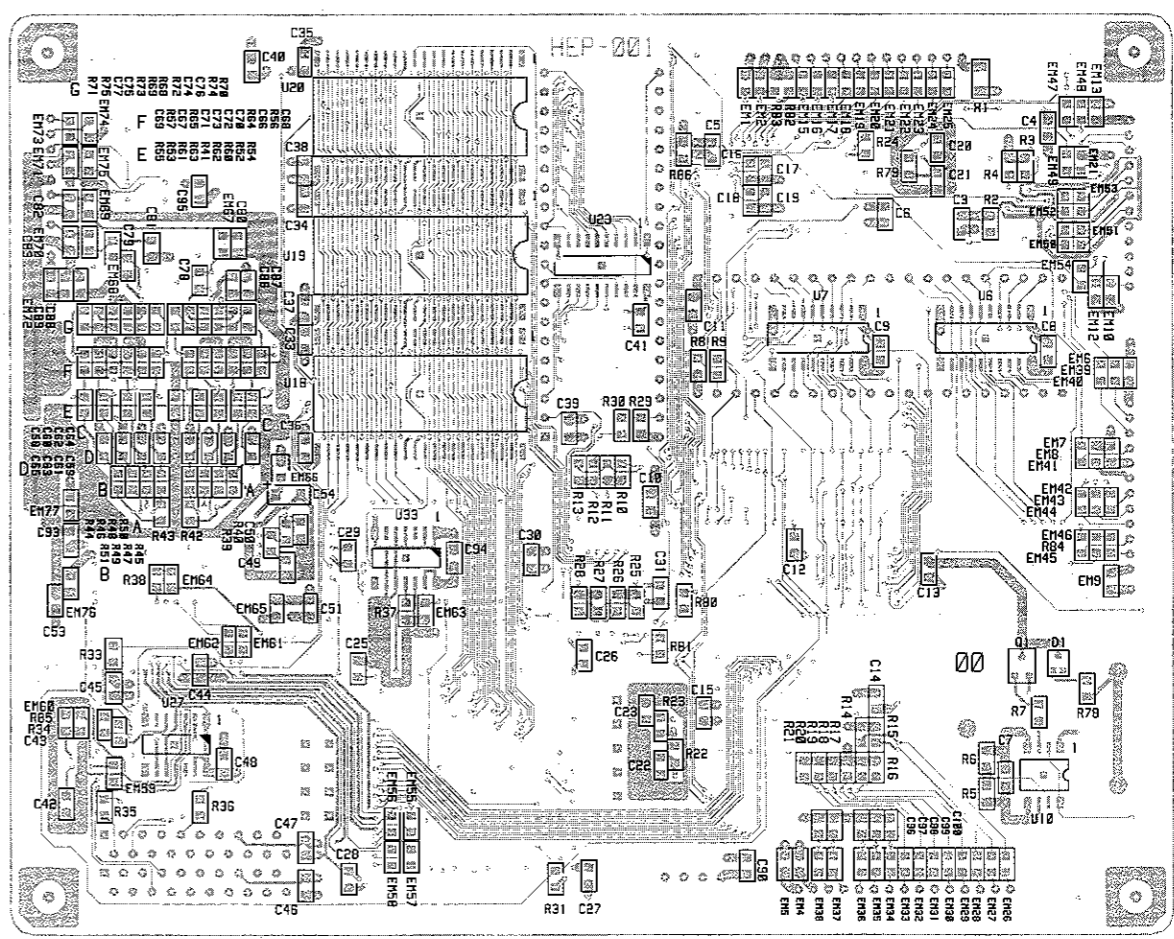


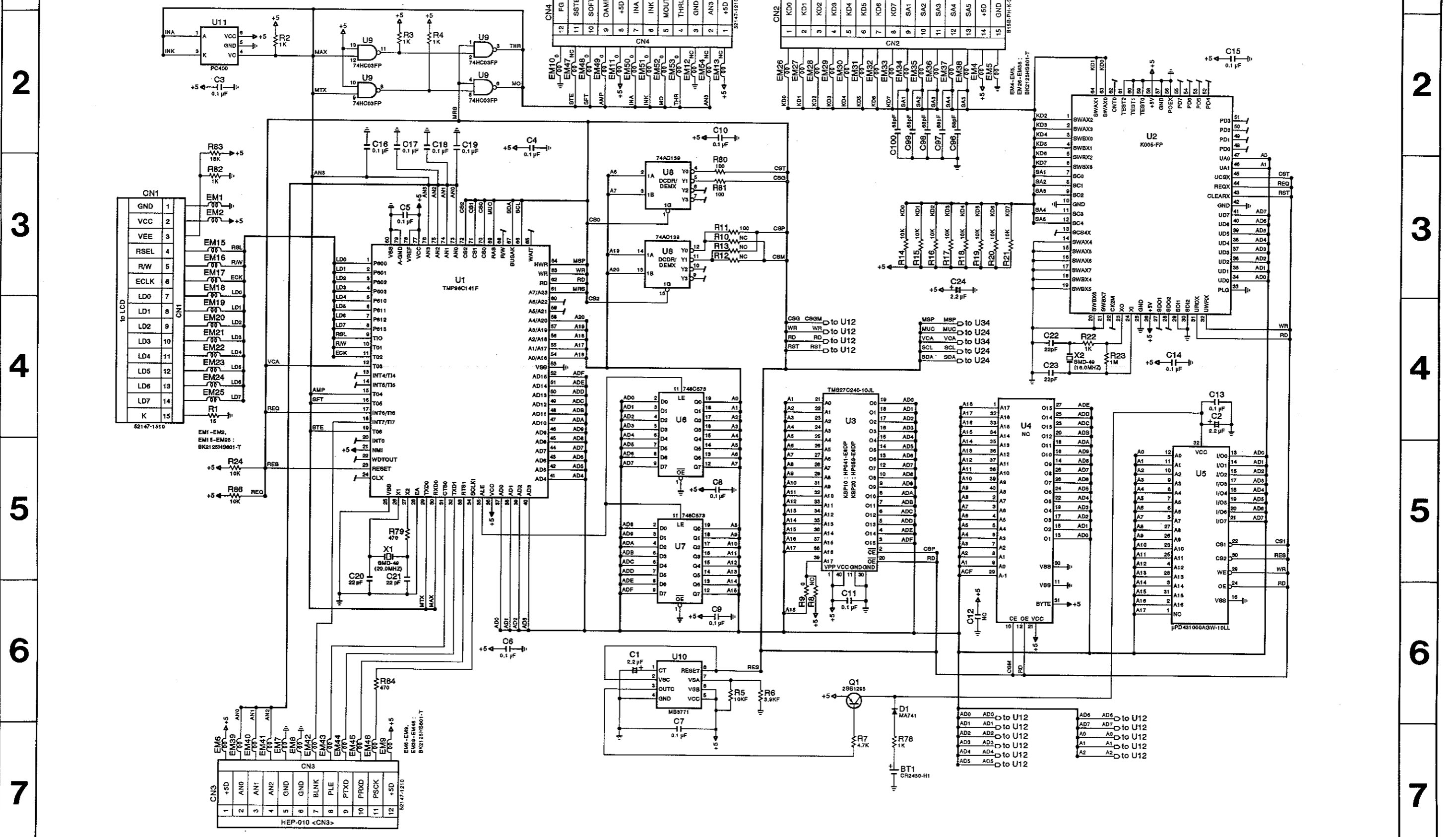
HEP-006 <CN5>	
VCA	10
MUC	9
MSP	8
-15	7
AG	6
OTR	5
AG	4
OTL	3
AG	2
+15	1
CN5	

CN2	
KD0	1
KD1	2
KD2	3
KD3	4
KD4	5
KD5	6
KD6	7
KD7	8
SA1	9
SA2	10
SA3	11
SA4	12
SA5	13
+5D	14
GND	15
to Keyboard	

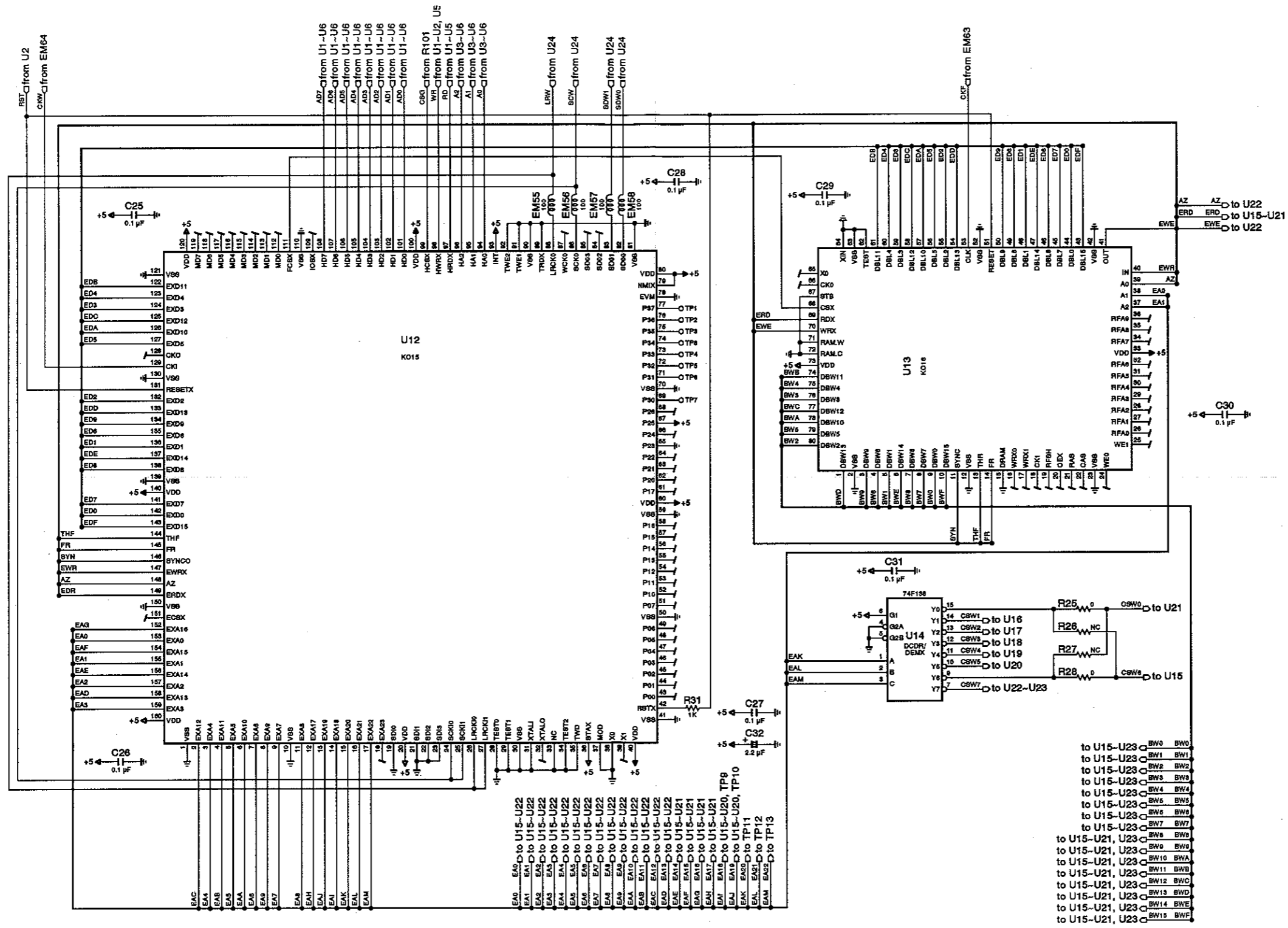
HEP-006 <CN5>	
GND	4
+5	3
+5	2
GND	1

(SILKSCREEN SOLDER)





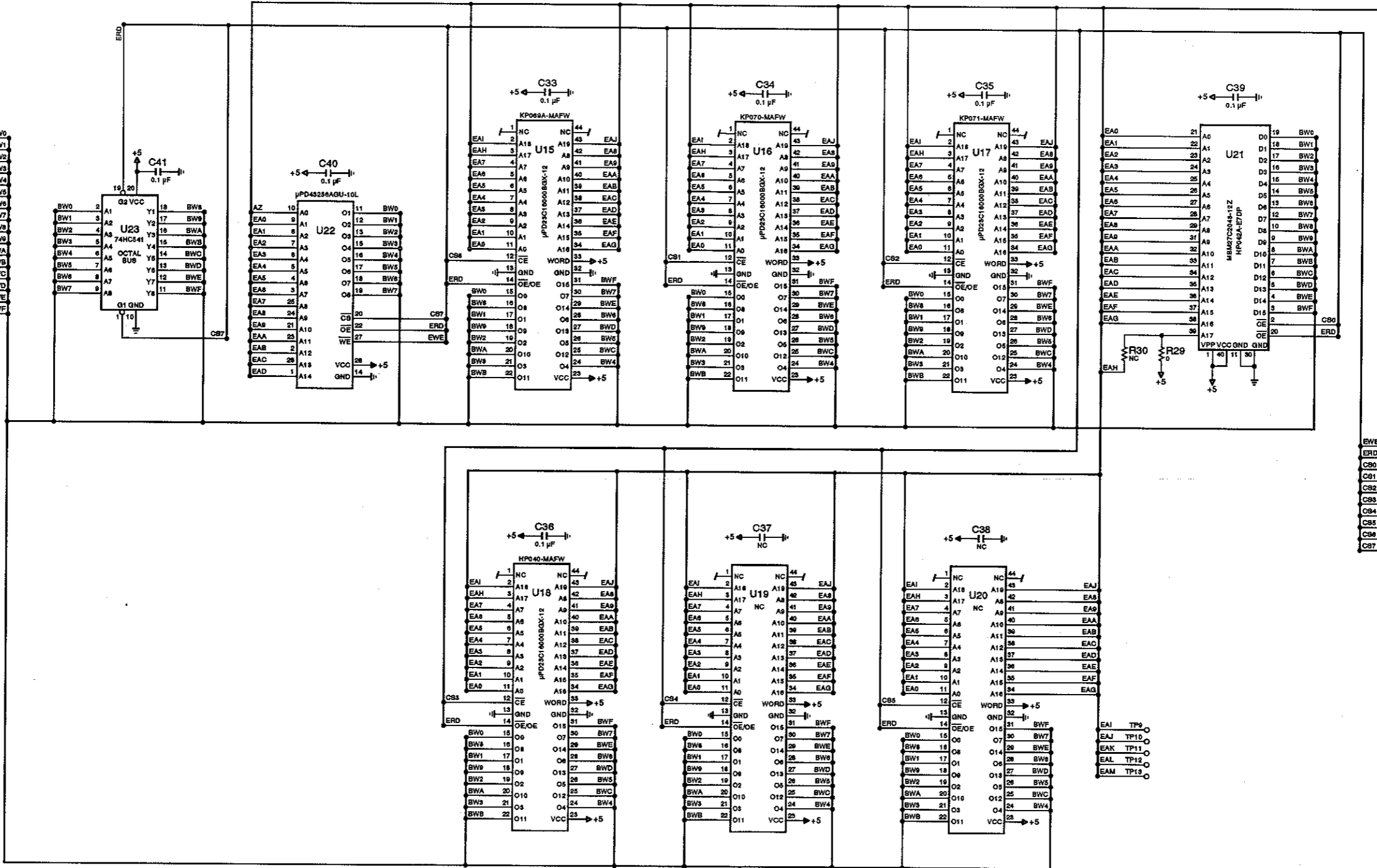
7. HEP-001 CIRCUIT(2/4)



- to U15-U23 \square BW0 BW0
- to U15-U23 \square BW1 BW1
- to U15-U23 \square BW2 BW2
- to U15-U23 \square BW3 BW3
- to U15-U23 \square BW4 BW4
- to U15-U23 \square BW5 BW5
- to U15-U23 \square BW6 BW6
- to U15-U23 \square BW7 BW7
- to U15-U21, U23 \square BW8 BW8
- to U15-U21, U23 \square BW9 BW9
- to U15-U21, U23 \square BW10 BWA
- to U15-U21, U23 \square BW11 BWB
- to U15-U21, U23 \square BW12 BWC
- to U15-U21, U23 \square BW13 BWD
- to U15-U21, U23 \square BW14 BWE
- to U15-U21, U23 \square BW15 BWF

8. HEP-001 CIRCUIT(3/4)

from U13 \square BW0 BW0
 from U13 \square BW1 BW1
 from U13 \square BW2 BW2
 from U13 \square BW3 BW3
 from U13 \square BW4 BW4
 from U13 \square BW5 BW5
 from U13 \square BW6 BW6
 from U13 \square BW7 BW7
 from U13 \square BW8 BW8
 from U13 \square BW9 BW9
 from U13 \square BW10 BWA
 from U13 \square BW11 BWB
 from U13 \square BW12 BWC
 from U13 \square BW13 BWD
 from U13 \square BW14 BWE
 from U13 \square BW16 BWF

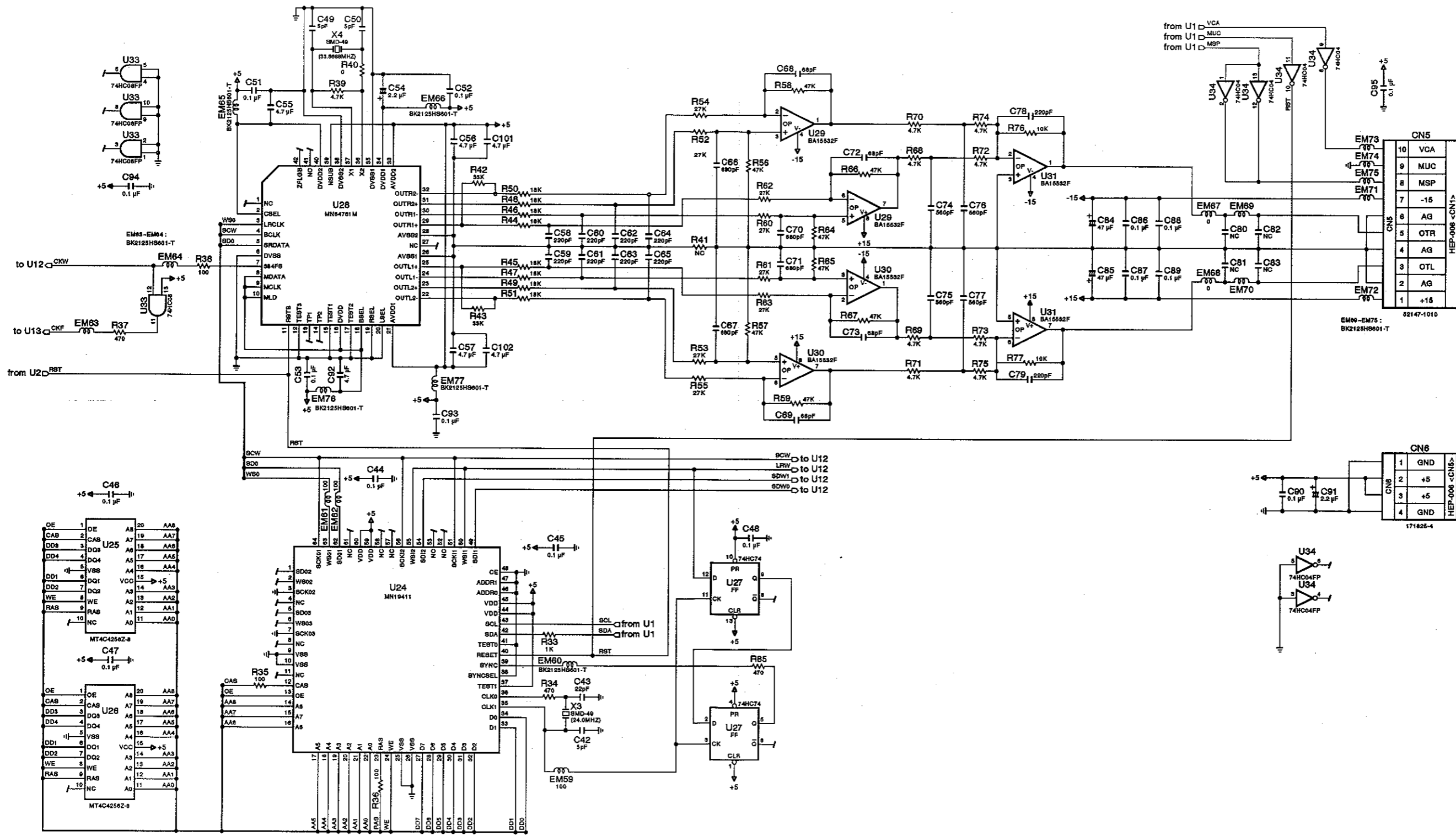


EA0 EA0 \square from U12-U13
 EA1 EA1 \square from U12-U13
 EA2 EA2 \square from U12
 EA3 EA3 \square from U12
 EA4 EA4 \square from U12
 EA5 EA5 \square from U12
 EA6 EA6 \square from U12
 EA7 EA7 \square from U12
 EA8 EA8 \square from U12
 EA9 EA9 \square from U12
 EAA EA10 \square from U12
 EAB EA11 \square from U12
 EAC EA12 \square from U12
 EAD EA13 \square from U12
 EAE EA14 \square from U12
 EAF EA15 \square from U12
 EAG EA16 \square from U12, U14
 EAH EA17 \square from U12, U14
 EAI EA18 \square from U12, U14
 EAJ EA19 \square from U12, U14
 EAK EA20 \square from U12, U14
 EAL EA21 \square from U12, U14
 EAM EA22 \square from U12, U14
 AZ AZ \square from U12-U13

BWE BWE \square from U13
 ERD ERD \square from U12-U13
 C80 C80 \square from U14
 C81 C81 \square from U14
 C82 C82 \square from U14
 C83 C83 \square from U14
 C84 C84 \square from U14
 C85 C85 \square from U14
 C86 C86 \square from U14
 C87 C87 \square from U14

EAI TP9
 EAJ TP10
 EAK TP11
 EAL TP12
 EAM TP13

9. HEP-001 CIRCUIT(4/4)



A B C D E F G H I

1 10. HEP-009 PRINTED WIRING BOARD(1/2) 1

2 2

3 3

4 4

5 5

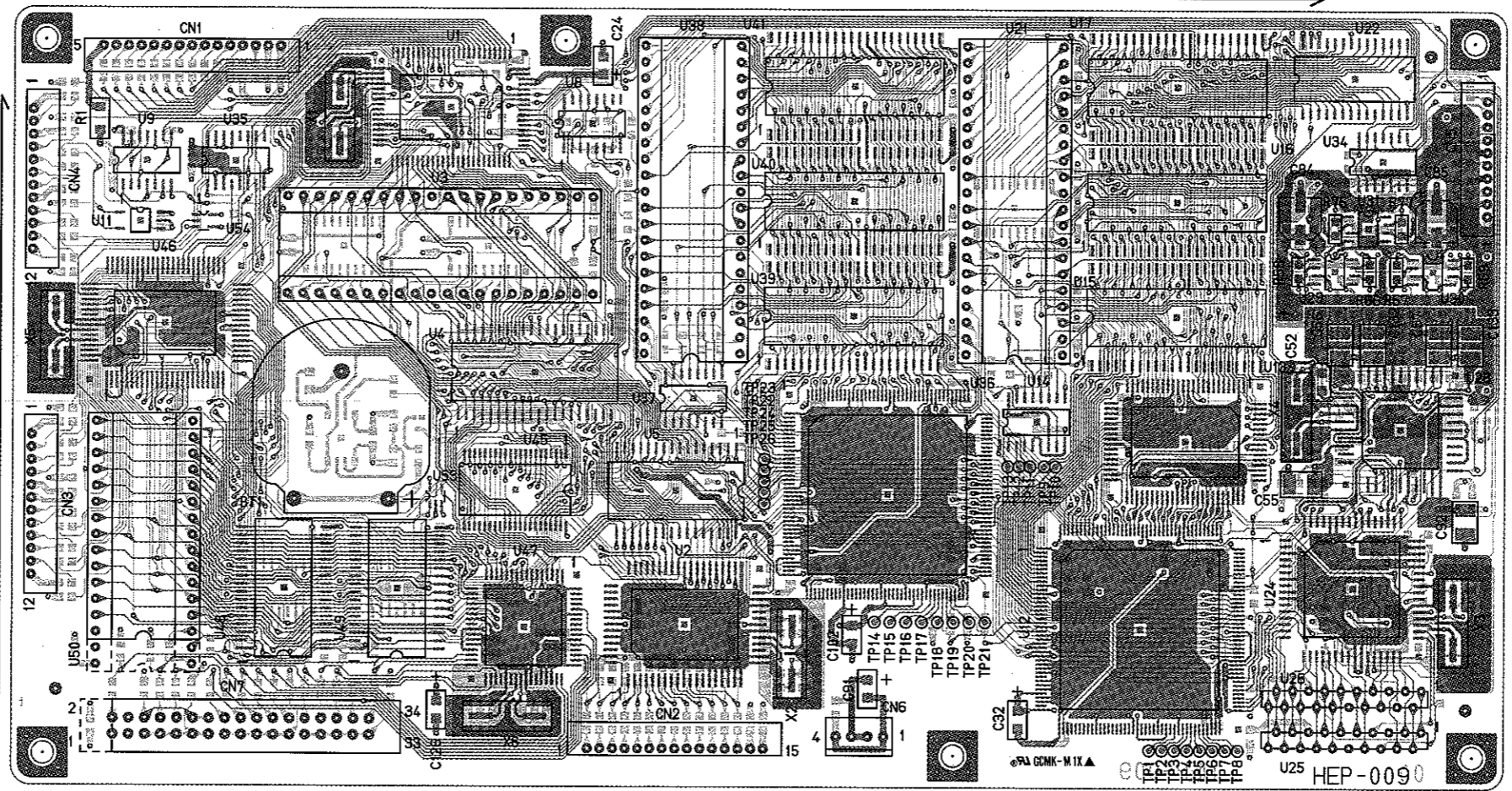
6 6

7 7

to LCD	
15	K
14	LD7
13	LD6
12	LD5
11	LD4
10	LD3
9	LD2
8	LD1
7	LD0
6	ECLK
5	RW
4	RSEL
3	VEE
2	VOC
1	GND
CN1	

HEP-012 <CN2>	
1	+5D
2	AN3
3	GND
4	THRU
5	MOUT
6	INK
7	INA
8	+5D
9	DAMP
10	SOFT
11	SSTE
12	FG
CN4	

HEP-010 <CN3>	
1	+5D
2	AN0
3	AN1
4	AN2
5	GND
6	GND
7	BLNK
8	PLE
9	PTXD
10	PRXD
11	PSCK
12	+5D
CN3	



HEP-006 <CN1>	
10	VCA
9	MUC
8	MSP
7	-15
6	AG
5	OTR
4	AG
3	OTL
2	AG
1	+15
CN5	

CN7	
1	NC
2	INP
3	NC
4	NC
5	GND
6	+5
7	GND
8	IDX
9	GND
10	DSL
11	GND
12	+5
13	GND
14	+5
15	GND
16	MON
17	GND
18	HDR
19	GND
20	STP
21	GND
22	WDT
23	GND
24	WGT
25	GND
26	TRK
27	GND
28	WPT
29	GND
30	RDT
31	GND
32	HSL
33	GND
34	RDY
to FDD	

CN2	
1	KD0
2	KD1
3	KD2
4	KD3
5	KD4
6	KD5
7	KD6
8	KD7
9	SA1
10	SA2
11	SA3
12	SA4
13	SA5
14	+5D
15	GND
to Keyboard	

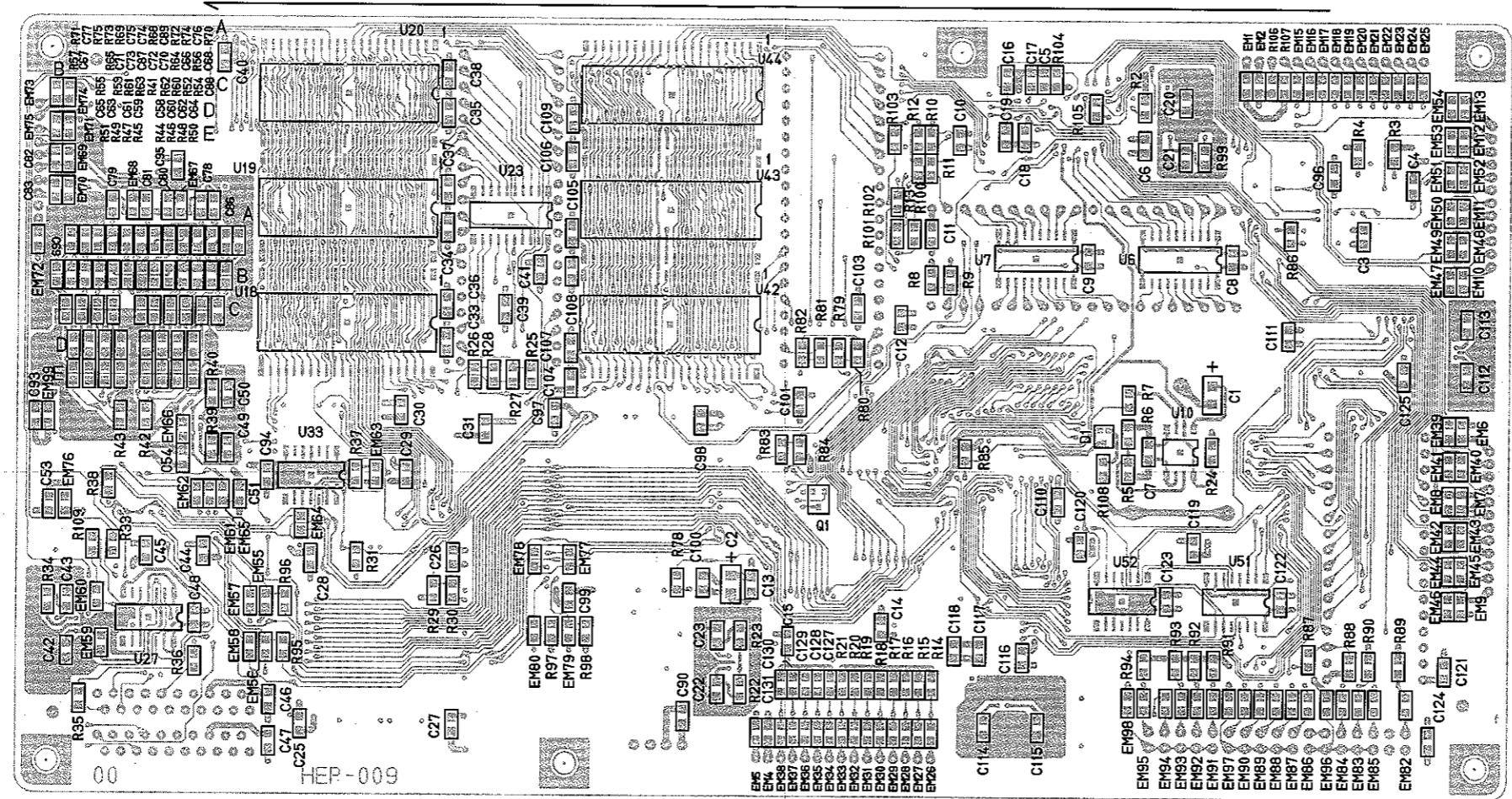
CN6	
4	GND
3	+5
2	+5
1	GND
HEP-006 <CN5>	

A B C D E F G H I

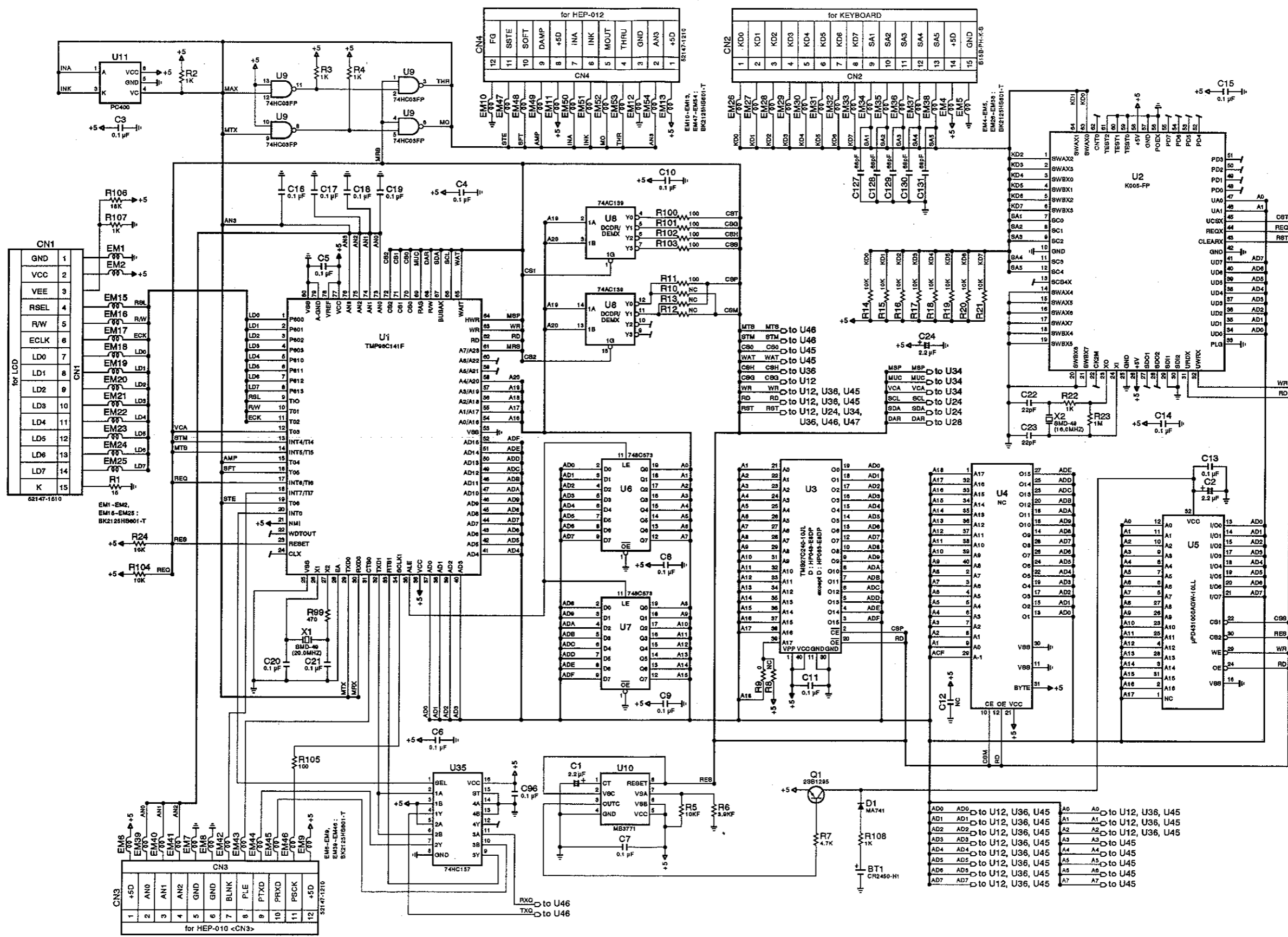
1
2
3
4
5
6
7

1
2
3
4
5
6
7

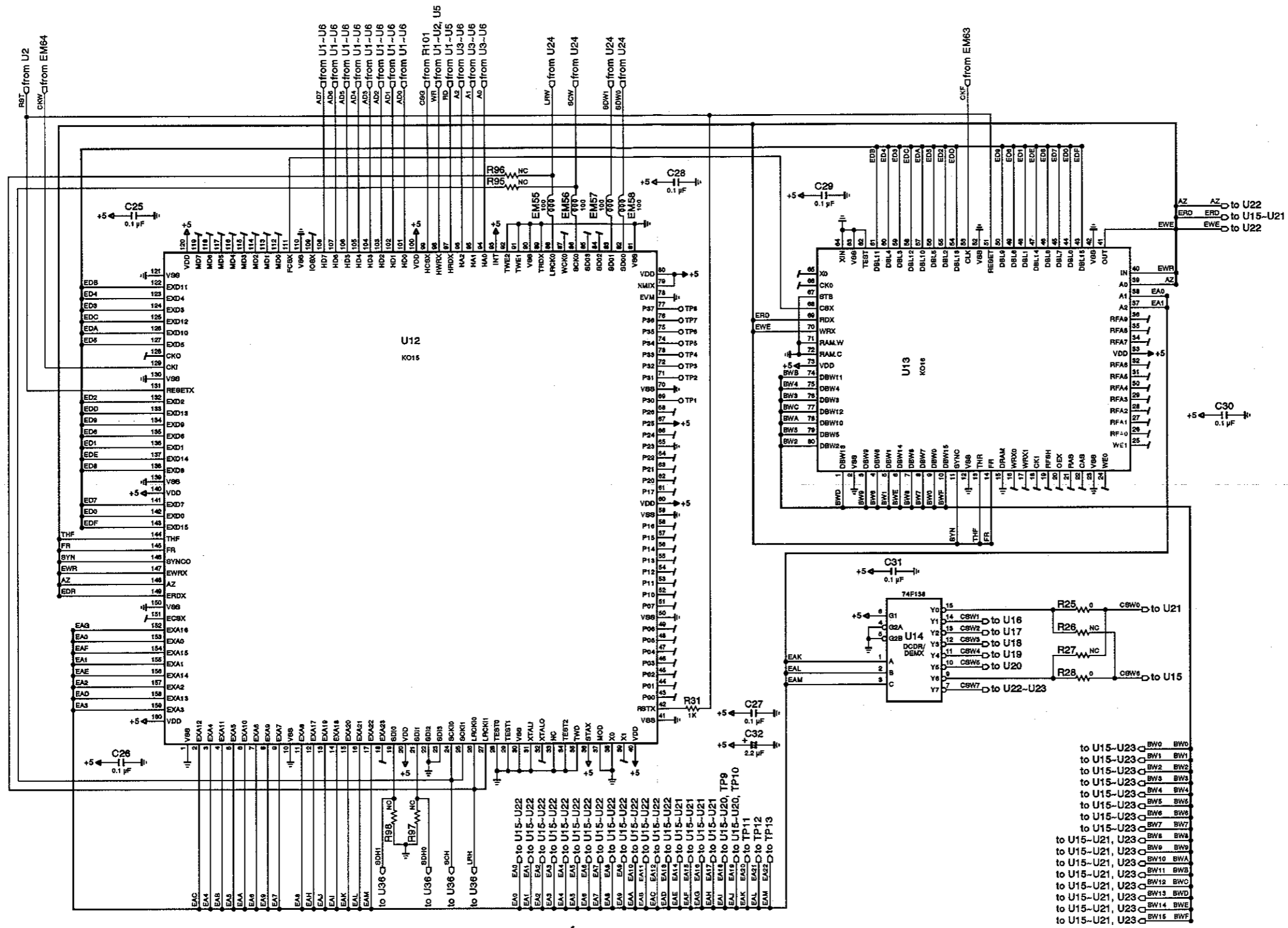
11. HEP-009 PRINTED WIRING BOARD(2/2)(SILKSCREEN SOLDER)



12. HEP-009 CIRCUIT(1/7)

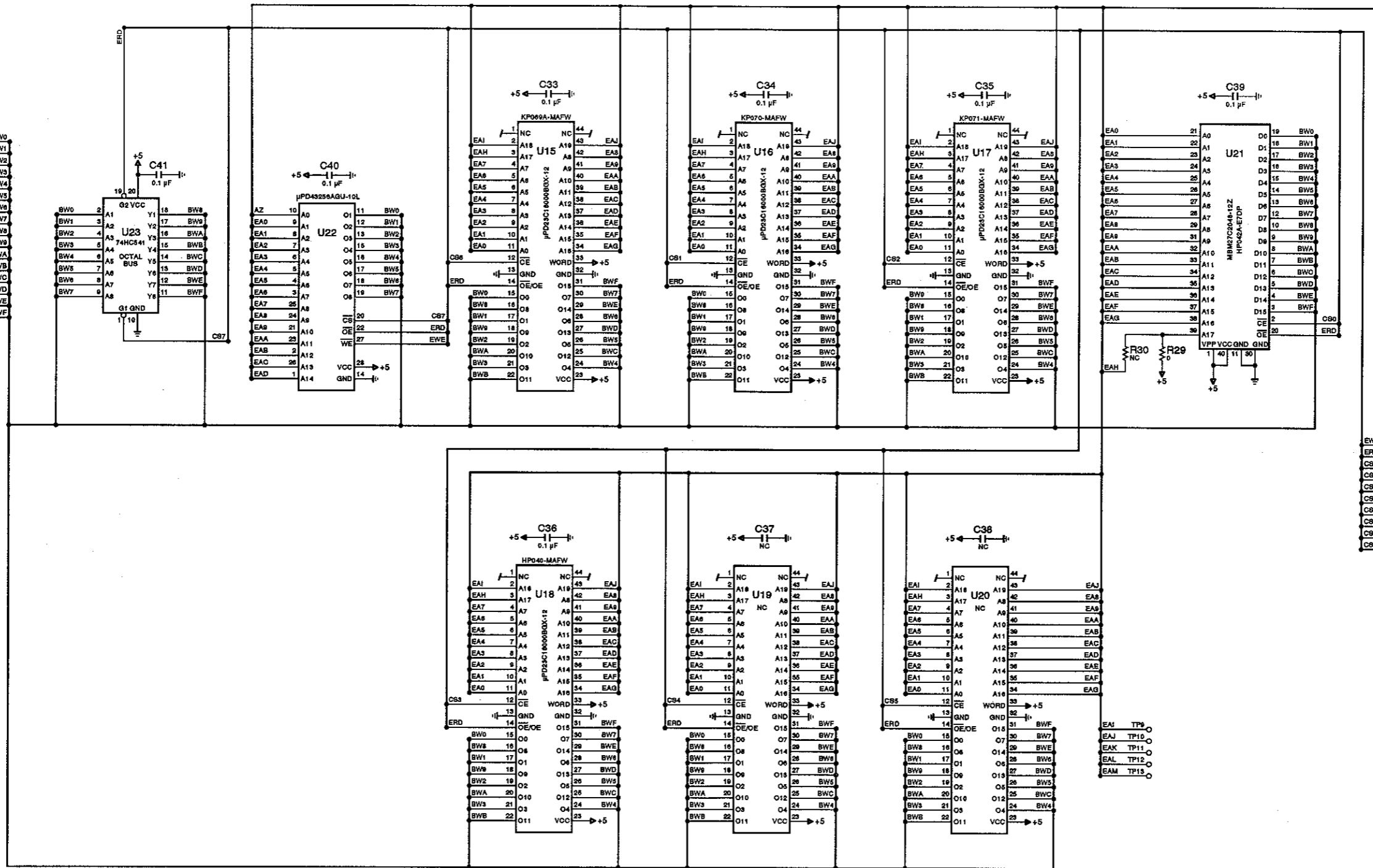


13. HEP-009 CIRCUIT(2/7)



14. HEP-009 CIRCUIT(3/7)

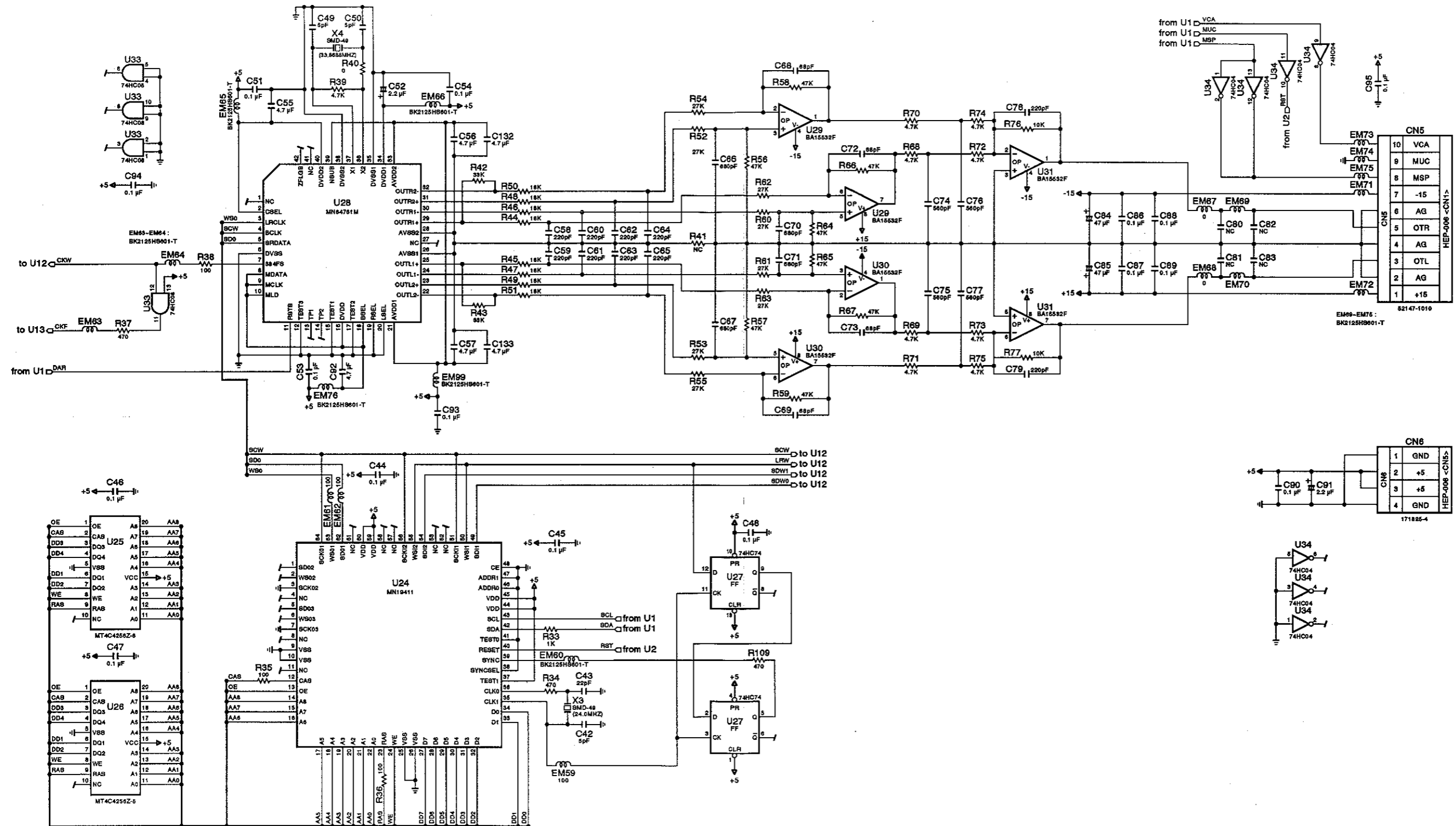
from U13 BW0 BW0
 from U13 BW1 BW1
 from U13 BW2 BW2
 from U13 BW3 BW3
 from U13 BW4 BW4
 from U13 BW5 BW5
 from U13 BW6 BW6
 from U13 BW7 BW7
 from U13 BW8 BW8
 from U13 BW9 BW9
 from U13 BW10 BW10
 from U13 BW11 BW11
 from U13 BW12 BW12
 from U13 BW13 BW13
 from U13 BW14 BW14
 from U13 BW15 BW15



EAD EA0 from U12-U13
 EAJ EA1 from U12-U13
 EAK EA2 from U12
 EAL EA3 from U12
 EAM EA4 from U12
 EAN EA5 from U12
 EAO EA6 from U12
 EAP EA7 from U12
 EAQ EA8 from U12
 EAR EA9 from U12
 EAS EA10 from U12
 EAT EA11 from U12
 EAU EA12 from U12
 EAV EA13 from U12
 EAW EA14 from U12
 EAX EA15 from U12
 EAY EA16 from U12
 EAZ EA17 from U12
 EBA EB0 from U12, U14
 EBB EB1 from U12, U14
 EBC EB2 from U12, U14
 EBD EB3 from U12, U14
 EBE EB4 from U12, U14
 EBF EB5 from U12, U14
 EBG EB6 from U12, U14
 EBH EB7 from U12, U14
 EBI EB8 from U12, U14
 EBJ EB9 from U12, U14
 EBK EB10 from U12, U14
 EBL EB11 from U12, U14
 EBM EB12 from U12, U14
 EBN EB13 from U12, U14
 EBO EB14 from U12, U14
 EBP EB15 from U12, U14
 EBQ EB16 from U12, U14
 EBR EB17 from U12, U14
 EBS EB18 from U12, U14
 EBT EB19 from U12, U14
 EBU EB20 from U12, U14
 EBV EB21 from U12, U14
 EBW EB22 from U12, U14
 EBX EB23 from U12, U14
 EBY EB24 from U12, U14
 EBZ EB25 from U12, U14
 EC0 EC0 from U12-U13
 EC1 EC1 from U12-U13
 EC2 EC2 from U12-U13
 EC3 EC3 from U12-U13
 EC4 EC4 from U12-U13
 EC5 EC5 from U12-U13
 EC6 EC6 from U12-U13
 EC7 EC7 from U12-U13
 EC8 EC8 from U12-U13
 EC9 EC9 from U12-U13
 EC0 EC0 from U12-U13
 EC1 EC1 from U12-U13
 EC2 EC2 from U12-U13
 EC3 EC3 from U12-U13
 EC4 EC4 from U12-U13
 EC5 EC5 from U12-U13
 EC6 EC6 from U12-U13
 EC7 EC7 from U12-U13
 EC8 EC8 from U12-U13
 EC9 EC9 from U12-U13

EWE EWE from U13
 ERD ERD from U12-U13
 CS0 CS0 from R25
 CS1 CS1 from U14
 CS2 CS2 from U14
 CS3 CS3 from U14
 CS4 CS4 from U14
 CS5 CS5 from U14
 CS6 CS6 from R28
 CS7 CS7 from U14

15. HEP-009 CIRCUIT(4/7)

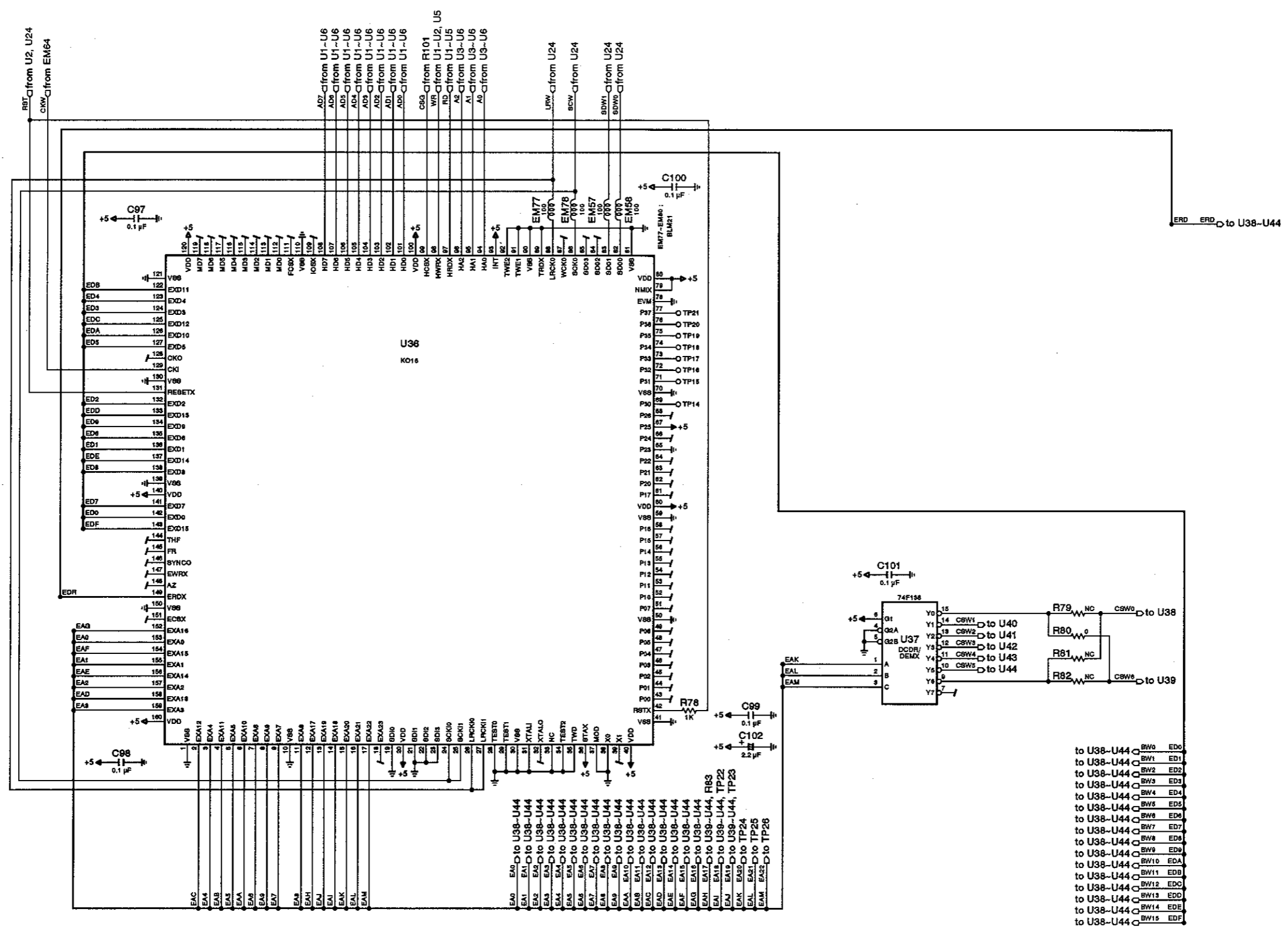


A B C D E F G H I

1
2
3
4
5
6
7

16. HEP-009 CIRCUIT(5/7)

1
2
3
4
5
6
7



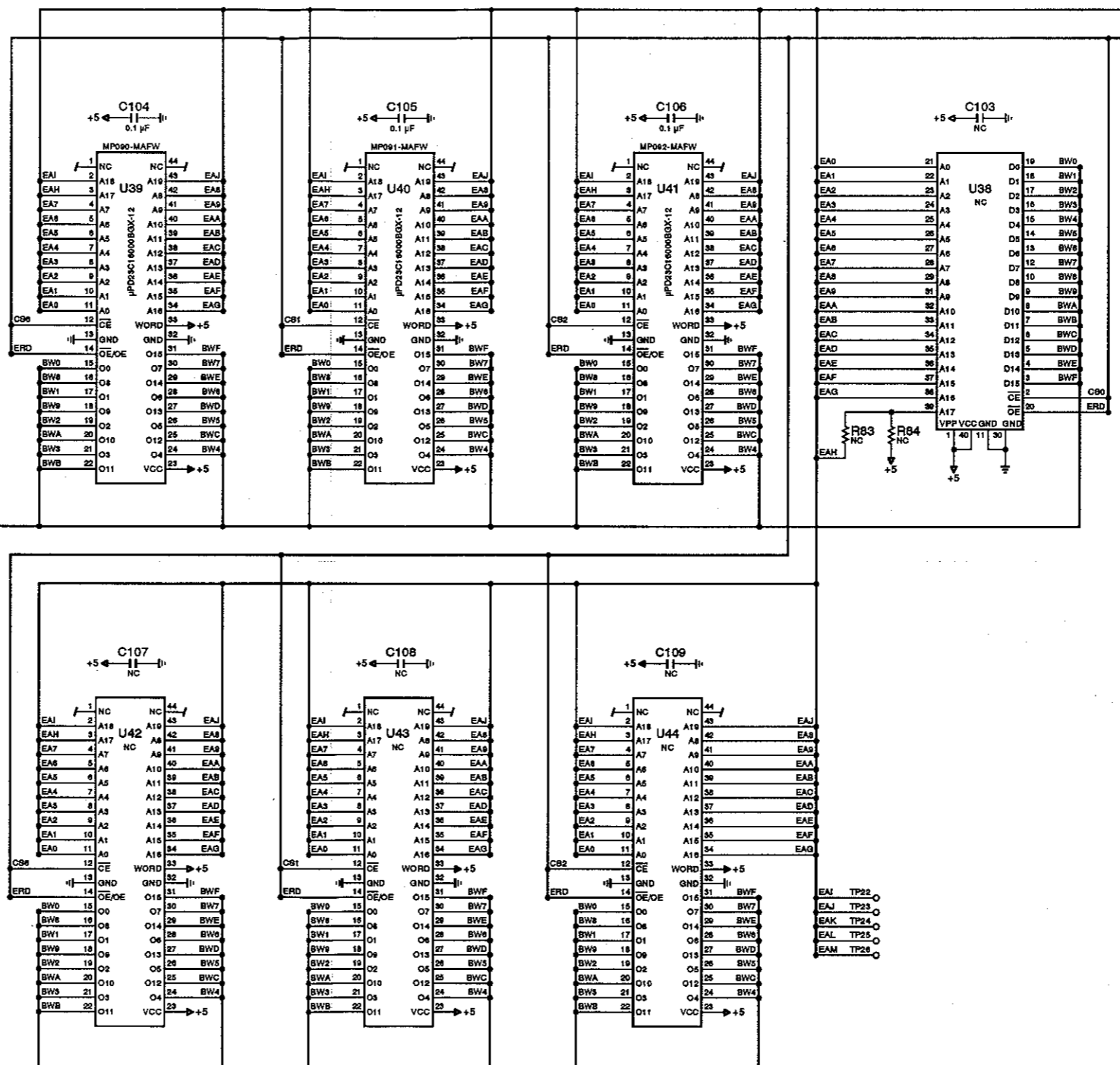
17. HEP-009 CIRCUIT(6/7)

from U36 BW0 BW0
 from U36 BW1 BW1
 from U36 BW2 BW2
 from U36 BW3 BW3
 from U36 BW4 BW4
 from U36 BW5 BW5
 from U36 BW6 BW6
 from U36 BW7 BW7
 from U36 BW8 BW8
 from U36 BW9 BW9
 from U36 BWA BWA
 from U36 BW10 BW10
 from U36 BW11 BW11
 from U36 BW12 BW12
 from U36 BW13 BW13
 from U36 BW14 BW14
 from U36 BW15 BW15

EAD EAD from U36-U37
 EAE EAE from U36-U37
 EAF EAF from U36-U37
 EAG EAG from U36-U37
 EAH EAH from U36-U37
 EAI EAI from U36-U37
 EAJ EAJ from U36-U37
 EAK EAK from U36-U37
 EAL EAL from U36-U37
 EAM EAM from U36-U37

ERD ERD from U36
 C90 C90 from R79
 CS1 CS1 from U37
 CS2 CS2 from U37
 CS3 CS3 from U37
 CS4 CS4 from U37
 CS5 CS5 from U37
 CS6 CS6 from R82

EAI TP22
 EAJ TP23
 EAK TP24
 EAL TP25
 EAM TP26

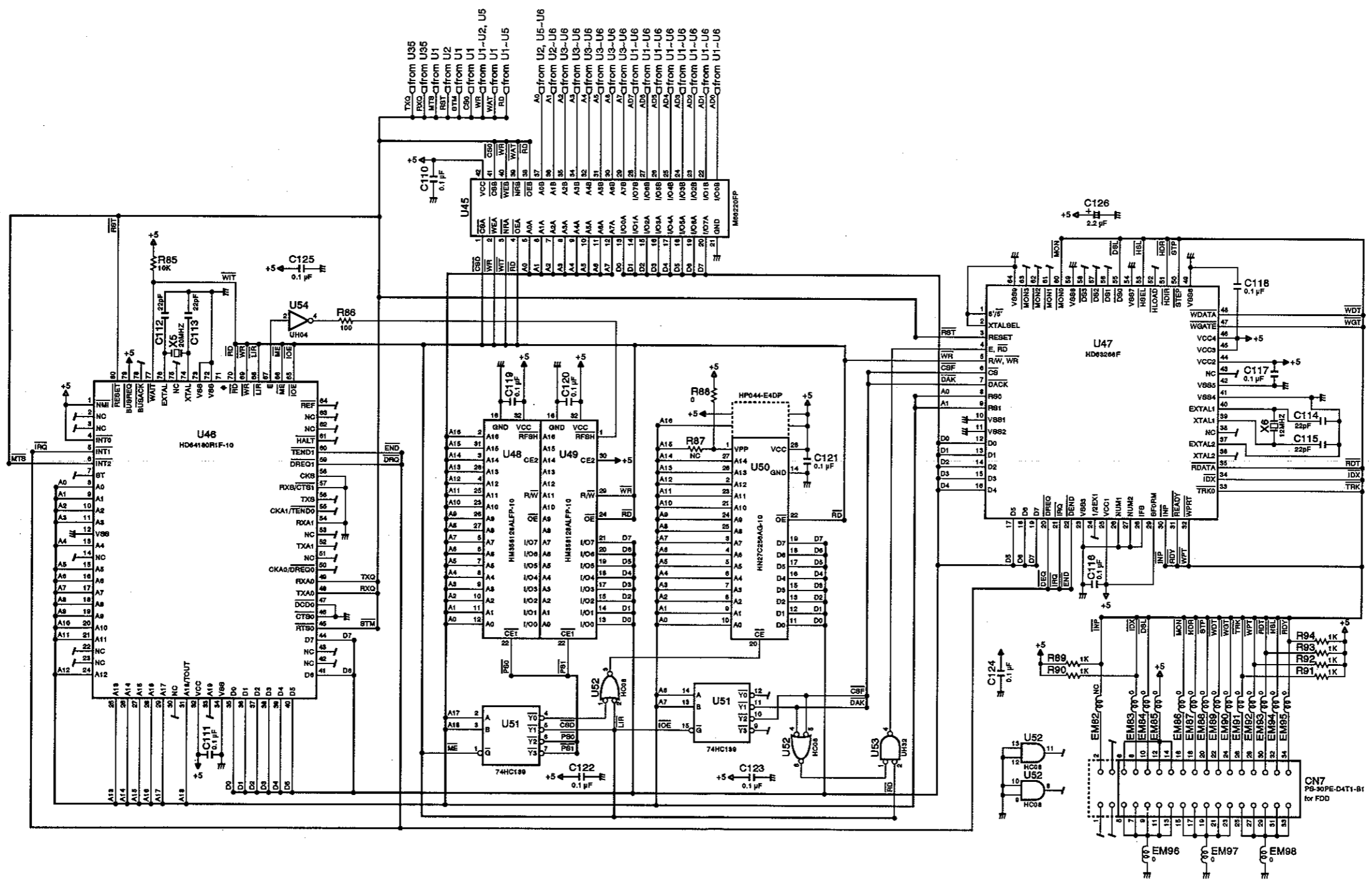


A B C D E F G H I

1
2
3
4
5
6
7

18. HEP-009 CIRCUIT(7/7)

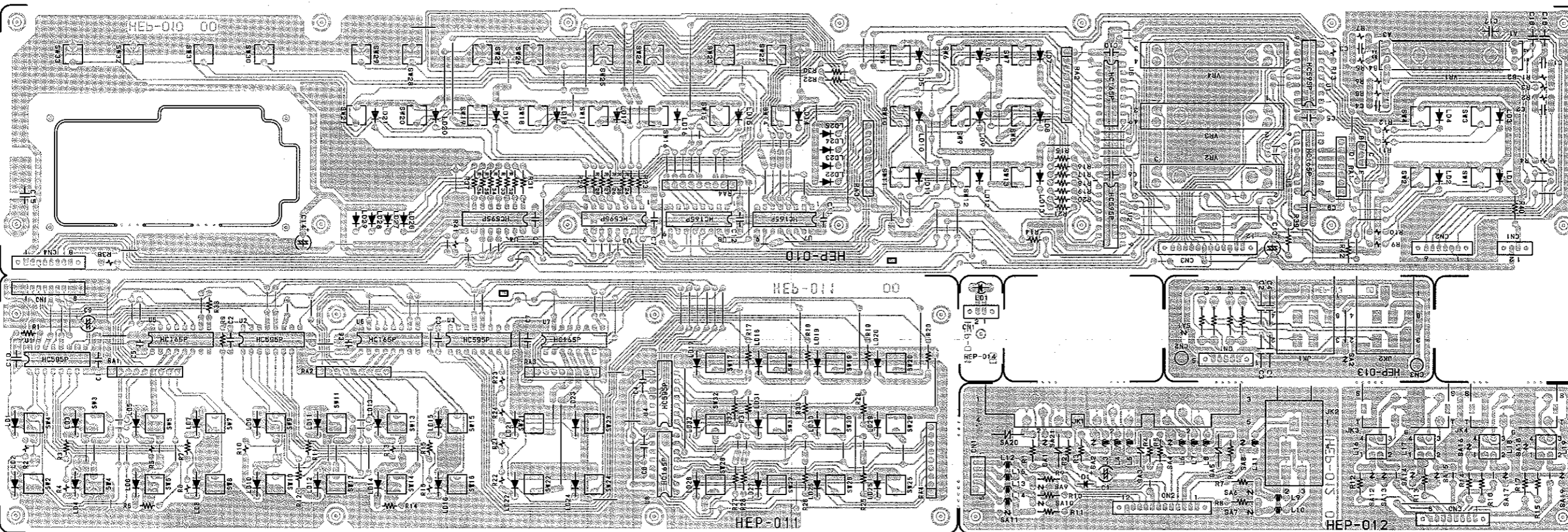
1
2
3
4
5
6
7



19. HEP-010,011,012,013,014 PRINTED WIRING BOARDS

(HEP-010)
51048-0800

HEP-011 <CN1>							
1	+5D	PSCK	S/L	PRXD	PTXD	PLE	BLNK
2							
3							
4							
5							
6							
7							
8							
CN4							



1	GND	2	BLNK	3	PLE	4	PTXD	5	PRXD	6	S/L	7	PSCK	8	+5D
HEP-010 <CN4>															
51048-0800 (HEP-011)															

51048-0800
(HEP-011)

PEDAL	DAMP	1	CN1
	GND	2	
	SOFT	3	
	SSTE	4	
	FG	5	

B5B-PH-K-S
(HEP-012)

CN2																							
12	FG	11	SSTE	10	SOFT	9	DAMP	8	+5D	7	INA	6	INK	5	MOUT	4	THRU	3	GND	2	ANS	1	+5D

51048-1200
(HEP-012)

CN3															
8	AG	7	INL	6	AG	5	INR	4	AG	3	OLL	2	OLR	1	AG

51048-0800
(HEP-012)

2	LDV	1	DG
HEP-006 <CN10>			
51048-0200 (HEP-014)			

1	FG
SIN-21T-1.8S (HEP-013)	

5	AG	4	HPL	3	PSN	2	HPR	1	AG
HEP-006 <CN4>									
51048-0500 (HEP-013)									

1	FG
SIN-21T-1.8S (HEP-013)	

(HEP-010)
51048-1200

HEP-001 <CN3>, HEP-009 <CN3>																							
12	+5D	PSCK	11	PRXD	10	PTXD	9	PLE	8	BLNK	7	GND	6	GND	5	AN2	4	AN1	3	AN0	2	+5D	1
CN3																							

(HEP-010)
51048-0800

HEP-006 <CN2>											
6	AG	5	RR	4	SR	3	SL	2	RL	1	AG
CN2											

(HEP-010)
NC

2	LDA	1	LDK
CN1			

A

B

C

D

E

F

G

H

I

1

20. HEP-010 CIRCUIT

1

2

2

3

3

4

4

5

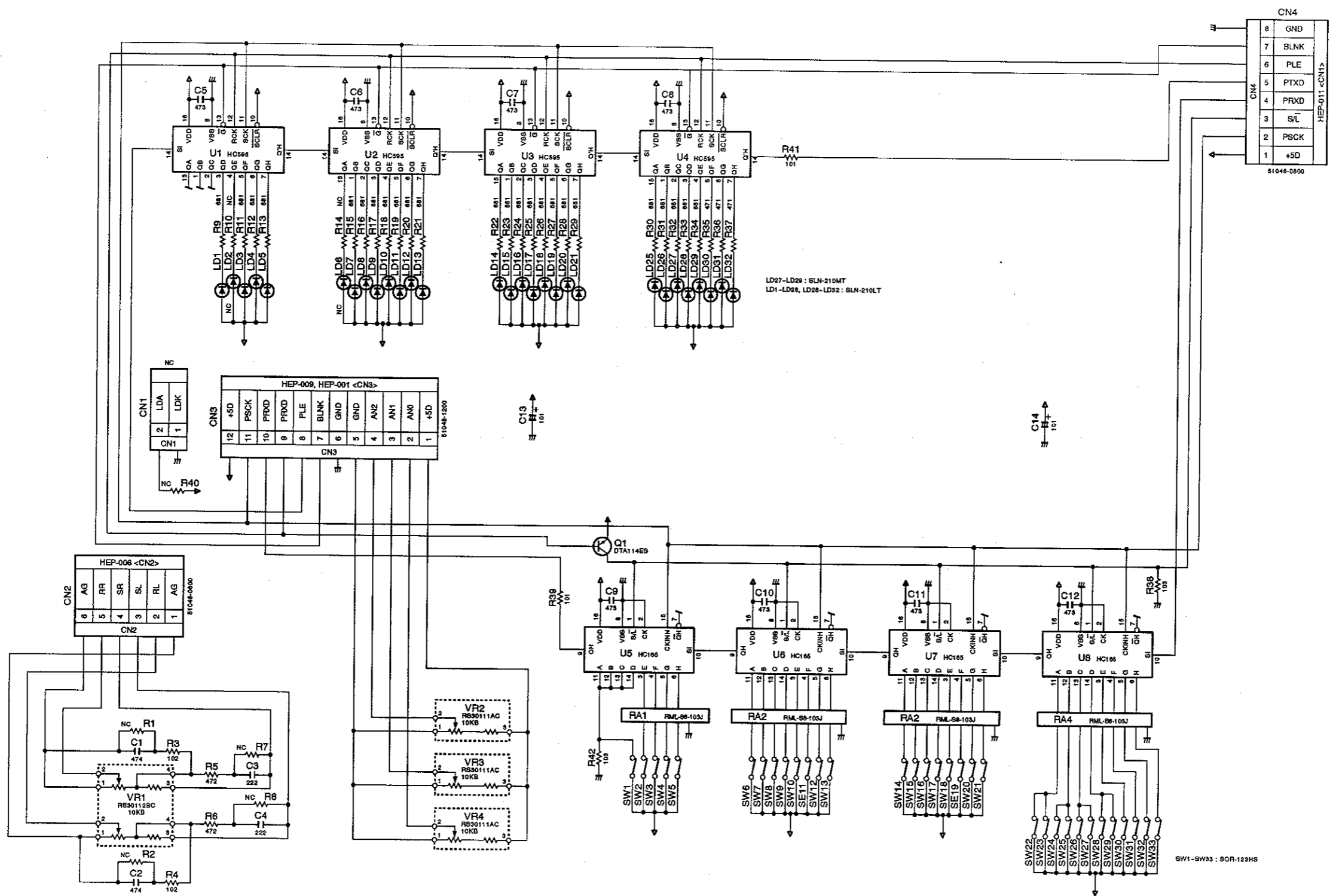
5

6

6

7

7

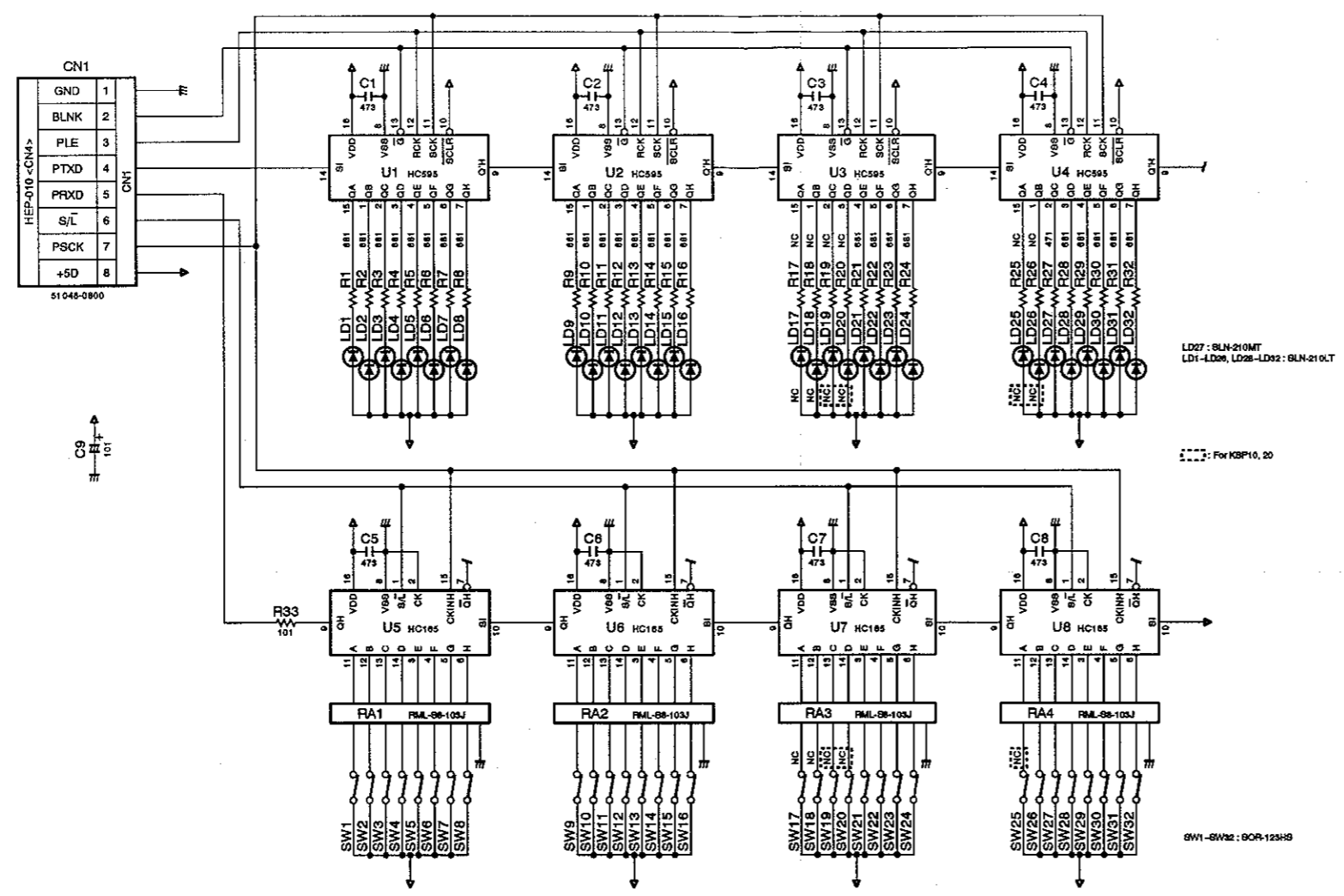


A B C D E F G H I

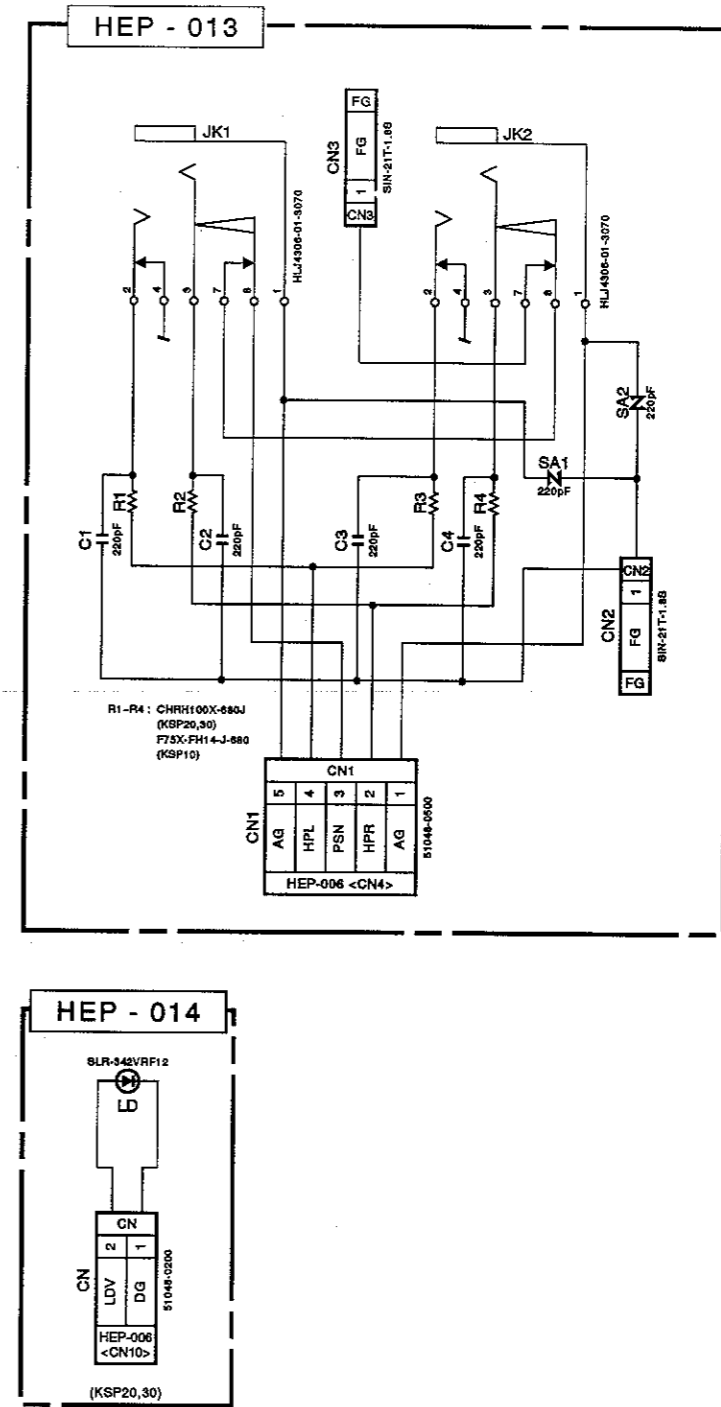
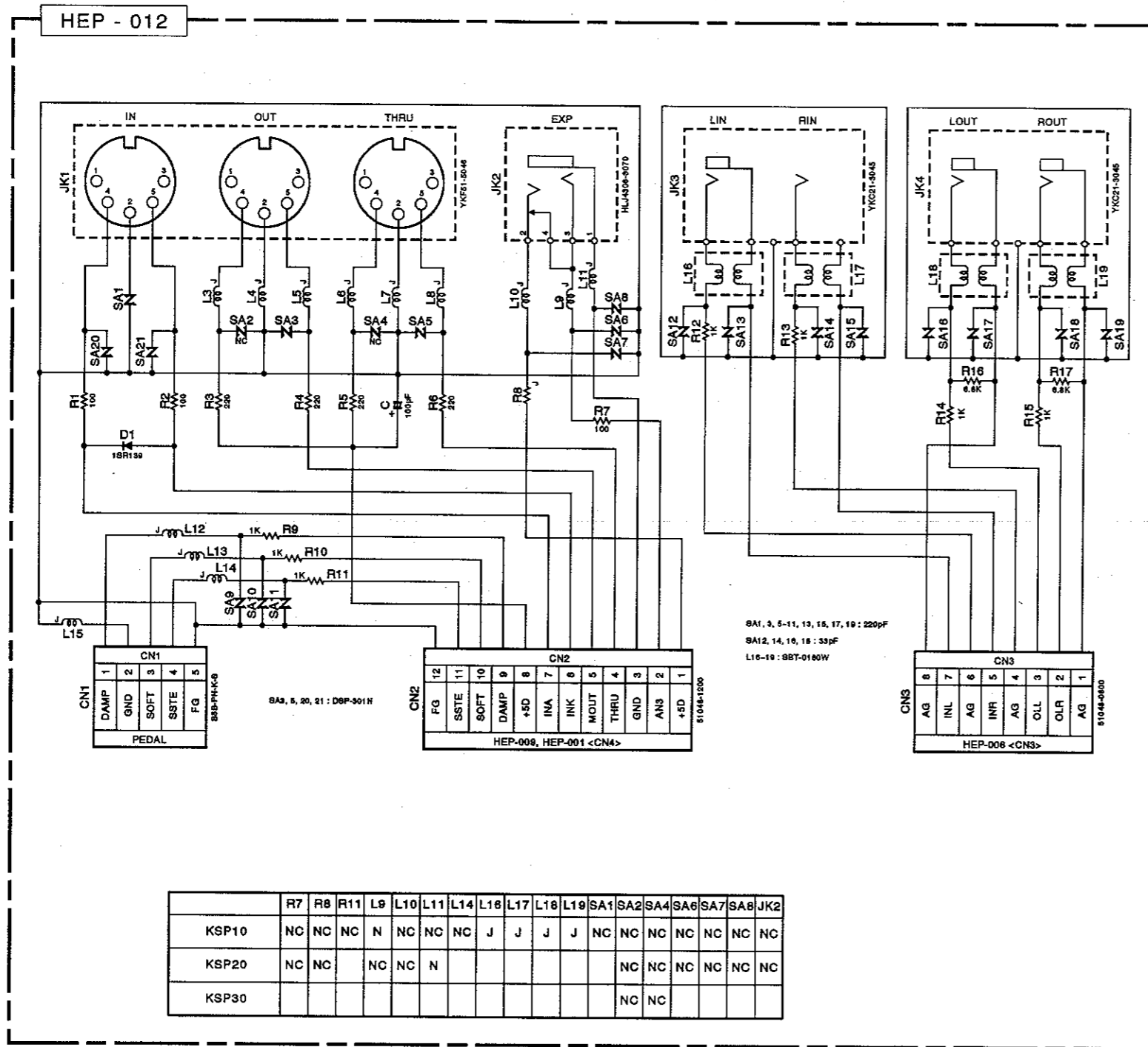
1
2
3
4
5
6
7

1
2
3
4
5
6
7

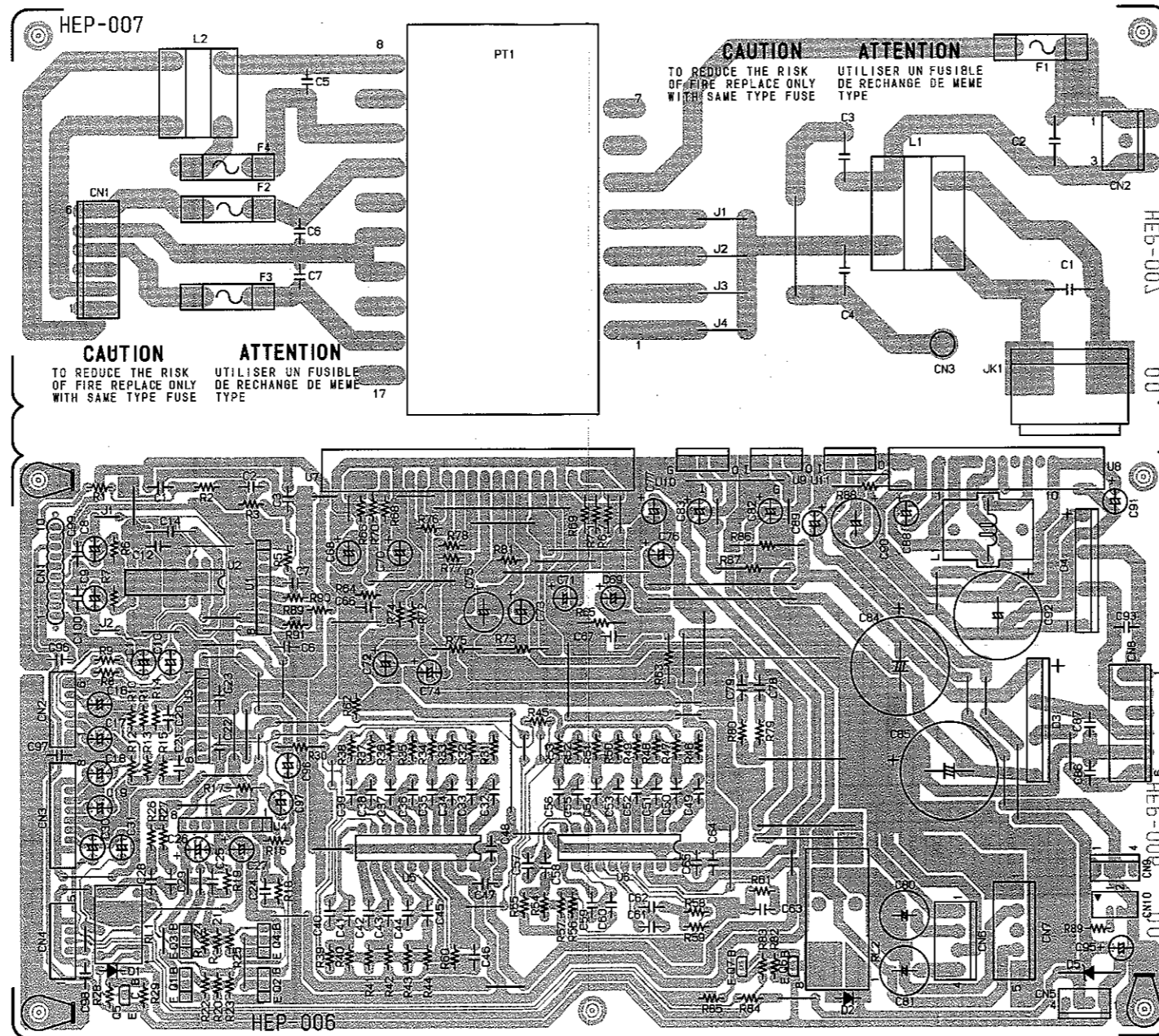
21. HEP-011 CIRCUIT



22. HEP-012,013,014 CIRCUITS



23. HEP-006,007 PRINTED WIRING BOARDS



B6P-VH
HEP-006 <CN8>

AH30	6
AG	5
AL30	4
NC	3
AH12	2
AL12	1

CN1

51048-1000
HEP-009 <CN5>
HEP-001 <CN5>

VCA	10
DG	9
MSP	8
-15A	7
AG	6
OTR	5
AG	4
OTL	3
AG	2
+15A	1

CN1

52147-0610
HEP-010 <CN2>

AG	6
RL	5
SL	4
SR	3
RR	2
AG	1

CN2

52147-0810
HEP-012 <CN3>

AG	8
INL	7
AG	6
INR	5
AG	4
OLL	3
OLR	2
AG	1

CN3

52147-0510
HEP-013 <CN1>

AG	5
HPL	4
PSN	3
HPR	2
AG	1

CN4

CN2

1	SWC
2	NC
3	SWH

to P.SW
B3P-VH

CN3

FG	FG
----	----

SIN-21T-1.8S

CN8

1	AL12
2	AH12
3	NC
4	AL30
5	AG
6	AH30

HEP-007 <CN1>
B6P-VH

CN9

1	+5D
2	DG
3	DG
4	DG

FDD
171825-4

CN10

1	LDV
2	DG

HEP-014 <CN1>
52147-0210

CN6

4	TWR
3	AG
2	TWL
1	AG

to Tweeter
B4P-VH

CN7

5	AG
4	SPR
3	---
2	SPL
1	AG

to SP BOX
B5P-VH

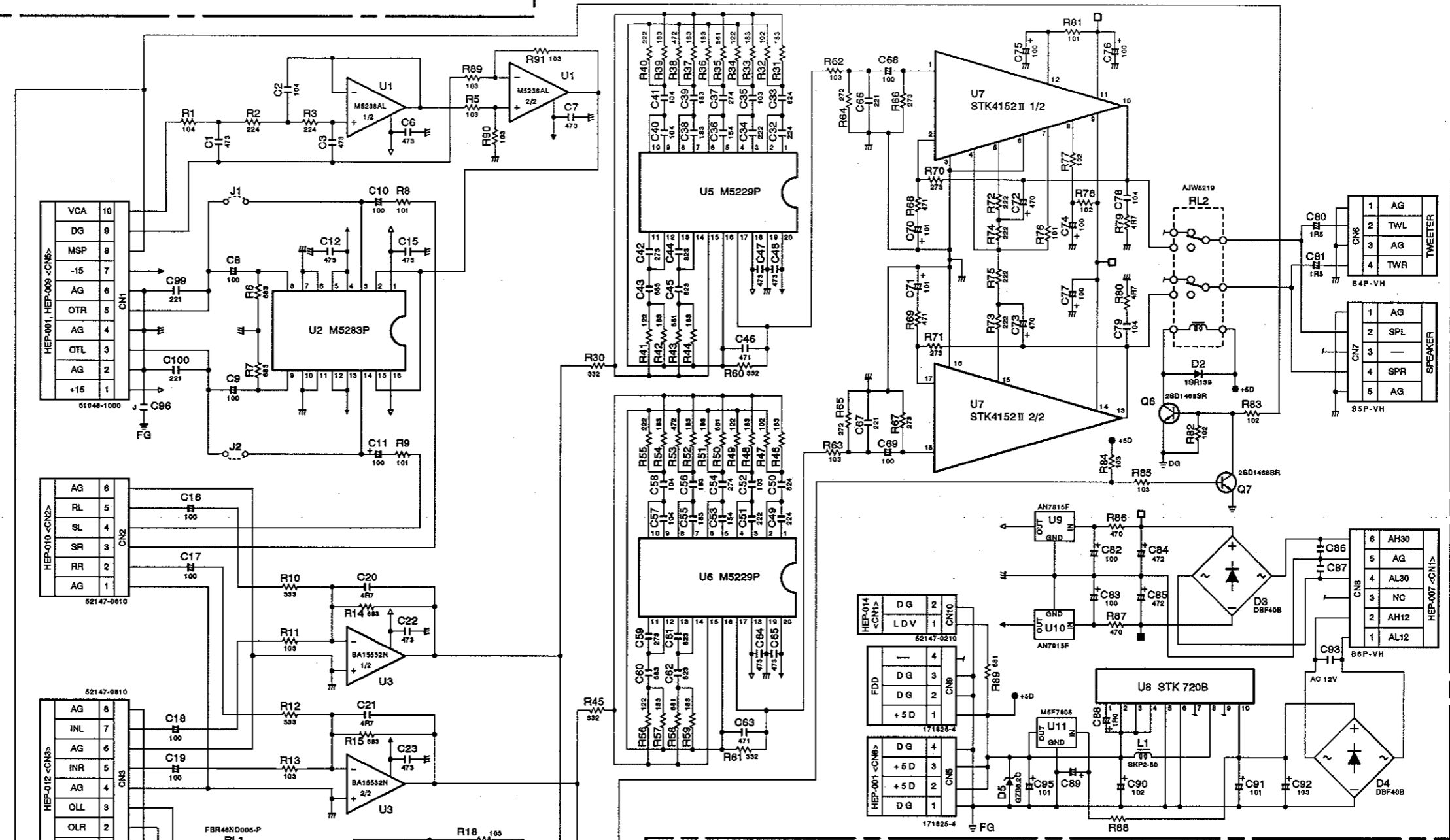
CN5

4	DG
3	+5D
2	+5D
1	DG

HEP-001 <CN6>
HEP-009 <CN6>
171825-4

HEP - 006

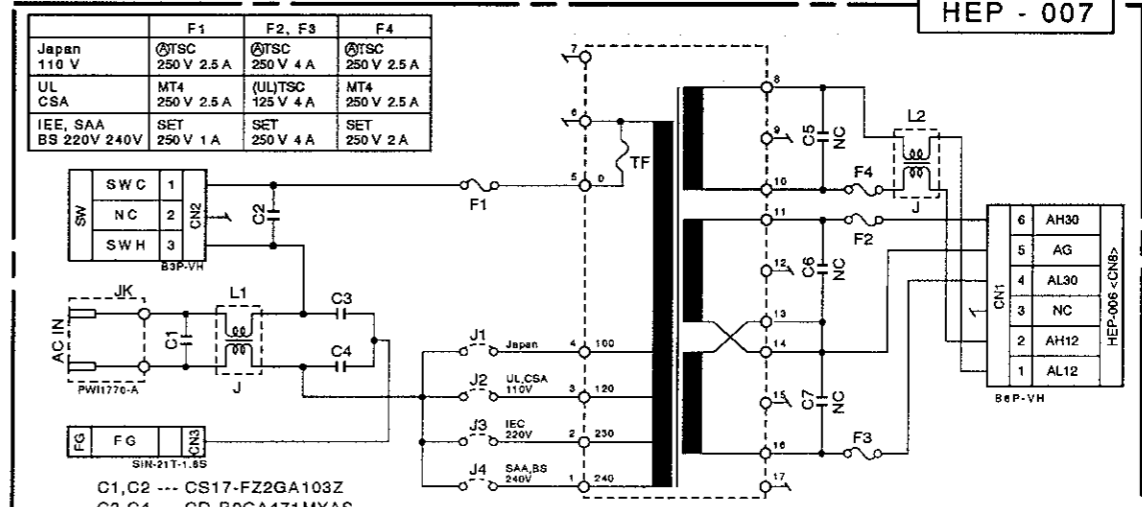
	KSP10	KSP20	KSP30
U1 ~ U2	NC	NC	
U8	NC	NC	
U11			NC
R1 ~ R3	NC	NC	
R5 ~ R7	NC	NC	
R8 ~ R9	J	J	
R88	J	J	NC
R89 ~ R91	NC	NC	
C1 ~ C3	NC	NC	
C6 ~ C9	NC	NC	
C12	NC	NC	
C15	NC	NC	
C88 ~ C87		NC	NC
C88	NC	NC	
C89			NC
C91 ~ C92	NC	NC	
C93		NC	NC
L1	NC	NC	
D5	NC	NC	
J1 ~ J2			NC



	AG	8
	RL	5
	SL	4
	SR	3
	RR	2
	AG	1

	AG	5
	HPL	4
	PSN	3
	HPR	2
	AG	1

HEP - 007



	F1	F2, F3	F4
Japan 110 V	①TSC 250 V 2.5 A	②TSC 250 V 4 A	③TSC 250 V 2.5 A
UL CSA	MT4 250 V 2.5 A	(U)TSC 125 V 4 A	MT4 250 V 2.5 A
IEE, SAA BS 220V 240V	SET 250 V 1 A	SET 250 V 4 A	SET 250 V 2 A

	SWC	1
	NC	2
	SWH	3

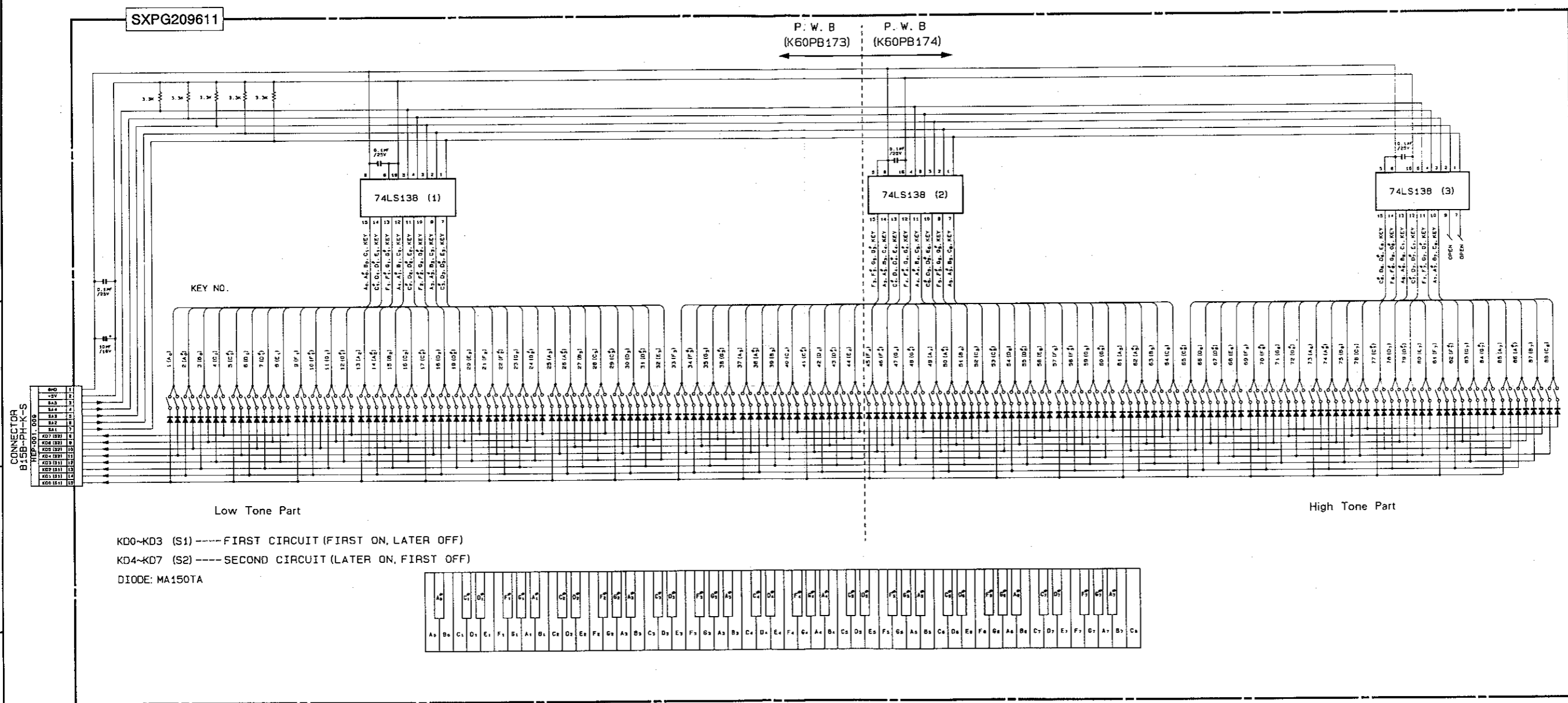
C1, C2 --- CS17-FZ2GA103Z
C3, C4 --- CD-B2GA471MYAS

A B C D E F G H I

1
2
3
4
5
6
7

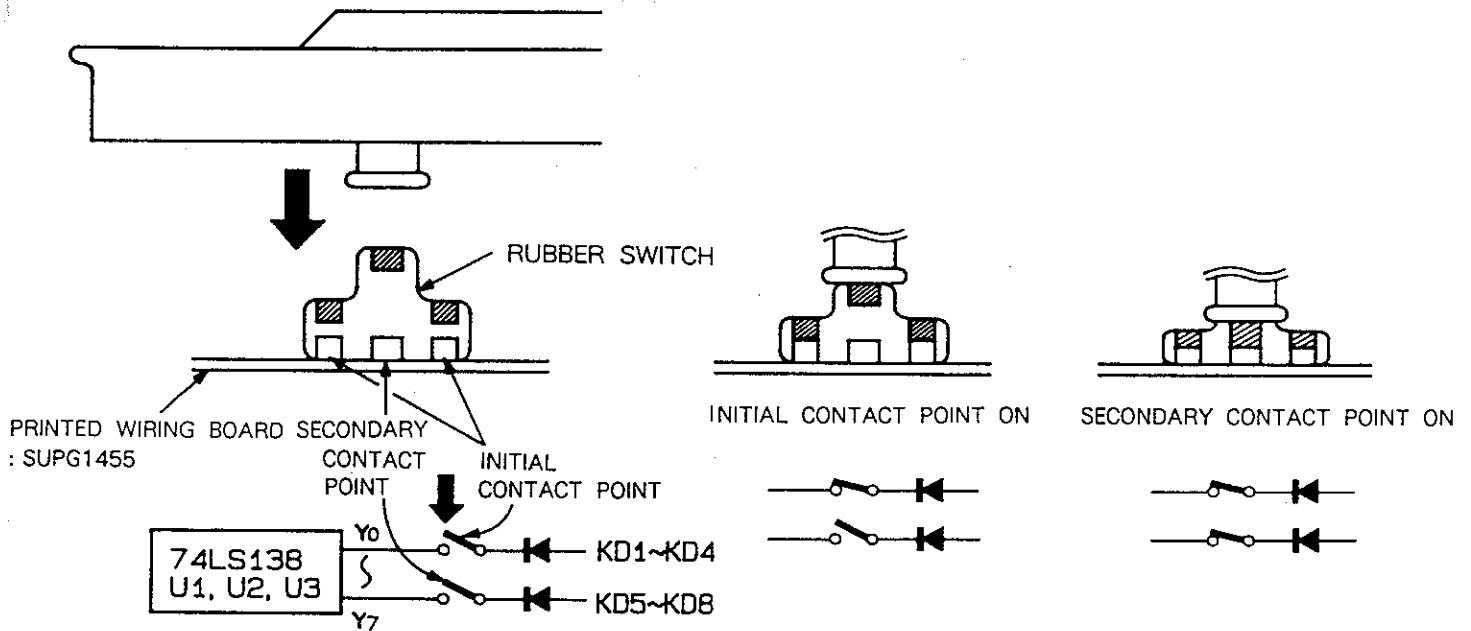
25. KEYBOARD CIRCUIT

1
2
3
4
5
6
7



26. KEY MATRIX

		S1				S2			
		KD1	KD2	KD3	KD4	KD5	KD6	KD7	KD8
LS138 (BASS) U1	Y0 (15pin)	A0	A # 0	B0	C1	A0	A # 0	B0	C1
	Y1 (14pin)	C # 1	D1	D # 1	E1	C # 1	D1	D # 1	E1
	Y2 (13pin)	F1	F # 1	G1	G # 1	F1	F # 1	G1	G # 1
	Y3 (12pin)	A1	A # 1	B1	C2	A1	A # 1	B1	C2
	Y4 (11pin)	C # 2	D2	D # 2	E2	C # 2	D2	D # 2	E2
	Y5 (10pin)	F2	F # 2	G2	G # 2	F2	F # 2	G2	G # 2
	Y6 (9pin)	A2	A # 2	B2	C3	A2	A # 2	B2	C3
	Y7 (7pin)	C # 3	D3	D # 3	E3	C # 3	D3	D # 3	E3
LS138 (MID) U2	Y0	F3	F # 3	G3	G # 3	F3	F # 3	G3	G # 3
	Y1	A3	A # 3	B3	C4	A3	A # 3	B3	C4
	Y2	C # 4	D4	D # 4	E4	C # 4	D4	D # 4	E4
	Y3	F4	F # 4	G4	G # 4	F4	F # 4	G4	G # 4
	Y4	A4	A # 4	B4	C5	A4	A # 4	B4	C5
	Y5	C # 5	D5	D # 5	E5	C # 5	D5	D # 5	E5
	Y6	F5	F # 5	G5	G # 5	F5	F # 5	G5	G # 5
	Y7	A5	A # 5	B5	C6	A5	A # 5	B5	C6
LS138 (HIGH) U3	Y0	C # 6	D6	D # 6	E6	C # 6	D6	D # 6	E6
	Y1	F6	F # 6	G6	G # 6	F6	F # 6	G6	G # 6
	Y2	A6	A # 6	B6	C7	A6	A # 6	B6	C7
	Y3	C # 7	D7	D # 7	E7	C # 7	D7	D # 7	E7
	Y4	F7	F # 7	G7	G # 7	F7	F # 7	G7	G # 7
	Y5	A7	A # 7	B7	C8	A7	A # 7	B7	C8



27. TROUBLE SHOOTING

(1) Nothing appears on LCD display and backlight.

↓
AC IN check (HEP-007)

↓
Fuse check (HEP-007)

↓
Digital 5V power check

(2) Backlight on but display is abnormal.

↓
Connector check

↓
LCD check

*: ONLY KSP30

↓
Check around CPU (HEP-001, *HEP-009)

↓
Check around TG Tone Generator HEP-001, *HEP-009)

(3) Sound is abnormal.

↓
Check around TG (HEP-001, *HEP-009)

↓
Check around D/A (HEP-001, *HEP-009)

↓
Check around amplifier (HEP-006)

(4) No sound produced.

↓
Is volume set to MIN?

↓
·(Keyboard does not produce sound) ·(MIDI does not produce sound)

↓
Connector check

↓
Check around key detector
(HEP-001, *HEP-009)

↓
Check MIDI connections and
settings

↓
Check around MIDI connector
(HEP-012)

↓
Check around CPU
(HEP-001, *HEP-009)

↓
· (Keyboard and MIDI do not
produce sound)

↓
Connector check

↓
Check around Tone Generator
(HEP-001, *HEP-009)

↓
Check around D/A
(HEP-001, *HEP-009)

↓
Check around amplifier
(HEP-006)

28. PARTS LIST

MAIN FRAME CASE

No.	Code No.	Part Name	Description	Pieces
1	926635	Arm board (left)	HPFC-0001(For KSP10)	1
	927080	Arm board (left)	HPBE-0005(For KSP20,30)	1
2	926640	Arm board (right)	HPFC-001(For KSP10)	1
	927075	Arm board (right)	HPBE-0005(For KSP20,30)	1
3	926785	Cheek block (L)	HPFC-0019(For KSP10)	1
	927035	Cheek block (L)	HPFC-0028(For KSP20,30)	1
4	926790	Cheek block (R)	HPFC-0020(For KSP10)	1
	927040	Cheek block (R)	HPFC-0029(For KSP20,30)	1
5	266124	Panel ass'y	(For KSP10)	1
	266129	Panel ass'y	(For KSP20)	1
	266125	Panel ass'y	(For KSP30)	1
6	808992	S Vol cover	MPFD-0047 (Black)	4
7	808994	S Vol Knob	MPFD-0048 (Black)	4
8	802715	Knob	AFZ-0512 (Black)	1
9	926705	Music rack	HPFC-0018	1
10	926710	Music rack hinge	MPFB-0192	1
11	807755	Score stopper	MPFD-0087	1
12	926660	Top board	HPFC-0003 (For KSP10)	1
	927105	Top board	HPFC-0025 (For KSP20,30)	1
13	808995	LCD cover	HPFD-0005	1
14	808996	LED lens	HPFD-0002	2
15	808990	Tone S.W Knob	MPFD-0046 (Black)	2
	808991	"	" (Gray)	2
16	808988	"	MPFD-0045 (Black)	6
	808989	"	" (Gray)	1
17	808983	Tone S.W Knob (Dual unit)	HPFD-0001 (Black)	14
	808985	"	" (Gray)	3
	808984	" (unit)	" (Black)	4
	808986	"	" (Gray)	3
	808987	"	" (Red)	4
19	926695	Fixing metal for panel (left)	HPFB-0007	1
20	926700	Fixing metal for panel (right)	HPFB-0007	1
21	809163	LCD	DMC16204-LY-9	1
22	809172	Keyboard unit ass'y	SK38809A(88Key)	1
23	809164	Power transformer	HT-012	1
24	926735	Panel stopper	HPFB-0009	2
25	926760	Fixing metal for P.W.B. (left)	HPFB-0011	1
26	926765	" (right)	HPFB-0011	1

No.	Code No.	Part Name	Description	Pieces
27	928215	Housing stopper	HPFB-0030	1
28	926720	Connector panel	EPFB-1234	1
29	926685	Rear Panel ass'y	HPBG-0001 (KSP10)	1
	927125	Rear Panel ass'y	MPBG-0003 (KSP30)	1
	927850	Rear Panel ass'y	MPBG-0006 (KSP20)	1
30	808999	Front Panel	HPFD-0004	1
31	926715	Shelf board	HPFC-0005 (For KSP10)	1
	927140	Shelf board	HPFC-0027 (For KSP20,30)	1
32	926725	Key slip ass'y	HPFC-0006 (For KSP10)	1
	927115	Key slip ass'y	HPFC-0026 (For KSP20,30)	1
33	926750	Speaker box ass'y	HPBE-0002	1
34	926675	Hook (left)	MPFB-0094	1
	926680	Hook (right)	"	1

STAND

No.	Code No.	Part Name	Description	Pieces
72	926985	Side board ass'y (left)	HPBE-0003	1
35	926990	Side board ass'y (right)	HPBE-0003	1
36	809153	Toe block (left)	MPFD-0082	1
37	809154	Toe block (right)	MPFD-0082	1
38	926805	Pedal block metal fix	EPFB-1244	2
39	926810	Stand fix (left)	HPFB-0016	1
40	926815	Stand fix (right)	HPFB-0016	1
41	926820	SP BOX fix	HPFB-0017	2
42	809155	Cord clamp	NK-2N (Black)	1
43	809156	Cord clamp	DKN-5 (Black)	2
44	927000	Back board	MPFC-0214	1
45	926995	Pedal block ass'y	HPBE-0004	1
46	926875	Pedal cable	HPBB-0007	1
47	926835	Back board Mount	MPFB-0195	2

PEDAL

No.	Code No.	Part Name	Description	Pieces		
				KSP10	KSP20	KSP30
48	926980	Pedal adjuster	EPFB-1254	1	1	1
49		Pedal chassis		1	1	1
50		Pedal		2	2	3
51		Pedal spring		2	2	3
52		Rubber switch		2	2	3
53		Cloth		2	2	3
54		Pedal holder		2	2	3
55		Pedal stopper		2	2	3
56		Pedal P.W.B.		1	1	1

ELECTRIC PARTS

No.	Code No.	Part Name	Description	Pieces		
				KSP10	KSP20	KSP30
18	802769	Power switch	SDDL1	1	1	1
21	809163	LCD	DMC16204-LY-9	1	1	1
57	809164	Transformer	HT-012 (All markets)	1	1	1
58	926845	Power switch housing	HPBB-0001	1		
	927005	"	HPBB-0017		1	1
59	926850	AC housing	HPBB-0002	1	1	1
60	926856	SP housing (Sp BOX)	HPBB-0003A	1	1	1
61	926860	" (tweeter)	HPBB-0004	1	1	1
62	926865	DC housing	HPBB-0005	1		
63	927010	"	HPBB-0018		1	1
64	926870	Keyboard housing	HPBB-0006	1		
65	927021	"	HPBB-0020A		1	1
66	926875	Pedal housing	HPBB-0007	1	1	1
67	809165	Speaker (tweeter)	HS07-002	2	2	2
68	808126	Speaker (woofer)	985-039834-002	2	2	2
	808702	Lithium Battery	CR2450	1	1	1
69	808388	FDD	FD-235HF-3284			1
70	809255	FDD housing	HPBB-0028			1
71	927015	FDD DC housing	HPBB-0019			1

HEP-001(1), (2)ASS'Y

No.	Code No.	Part Name	Description	Pieces	
				KSP10	KSP20
	711086	Pin housing	171825-4	1	1
	803033	IC socket	DICF-40CE	2	2
	803426	Connector	B15B-PH-K-S	1	1
	806000	Wire trap	52147-1210	2	2
	806001	"	52147-1510	1	1
	807036	"	52147-1010	1	1
	808939	Battery holder	24H-1	1	1
	808941	Capacitor	MV16VC47(M)F55	2	2
	808942	Chip resister	MCR18EZHZ150	1	1
	808943	"	RK73H2ATD1002F	1	1
	808944	"	RK73H2ATD3901F	1	1
	809000	"	MCR10EZHJ0R0	16	16
	809025	"	MCR10EZHJ101	14	14
	809033	"	MCR10EZHJ471	4	4
	809037	"	MCR10EZHJ102	8	8
	809045	"	MCR10EZHJ472	10	10
	809049	"	MCR10EZHJ103	12	12
	809052	"	MCR10EZHJ183	9	9
	809054	"	MCR10EZHJ273	8	8

No.	Code No.	Part Name	Description	Pieces	
				KSP10	KSP20
	809055	Chip resister	MCR10EZHZ333	2	2
	809057	//	MCR10EZHZ473	8	8
	809073	//	MCR10EZHZ105	1	1
	808946	Chip ceramic capacitor	TMK432F475Z	6	6
	809074	//	MCH215SL050JK	3	3
	809079	//	// 220JK	5	5
	809085	//	// 680JK	13	13
	809091	//	// 221JK	10	10
	809096	//	// 561JK	4	4
	809099	//	MCH212F104ZK	47	47
	809100	//	EMK316F225Z	6	6
	808945	Chip Bead	BK2125HS601-T	52	52

HEP-009(1), (2)ASS'Y

No.	Code No.	Part Name	Description	Pieces
				KSP30
	711086	Pin housing	171825-4	1
	800224	IC socket	DICF-28C	1
	803033	//	DICF-40CE	2
	803426	Connector	B15B-PH-K-S	1
	803601	//	PS-34PE-D4T1-B1	1
	806000	Wire trap	52147-1210	2
	806001	//	52147-1510	1
	807036	//	52147-1010	1
	808939	Battery holder	24H-1	1
	808941	Capacitor	MV16VC47(M)F55	1
	808942	Chip resistor	MCR18EZHZ150	1
	808943	//	RK73H2ATD1002F	1
	808944	//	RK73H2ATD3901F	1
	809000	//	MCR10EZHZ0R0	25
	809025	//	MCR10EZHZ101	21
	809033	//	MCR10EZHZ471	5
	809037	//	MCR10EZHZ102	15
	809045	//	MCR10EZHZ472	10
	809049	//	MCR10EZHZ103	13
	809052	//	MCR10EZHZ183	9
	809054	//	MCR10EZHZ273	8
	809055	//	MCR10EZHZ333	2
	809057	//	MCR10EZHZ473	8
	809073	//	MCR10EZHZ105	1
	808946	Chip ceramic capacitor	TMK432F475Z	6
	809074	//	MCH215SL050JK	3

No.	Code No.	Part Name	Description	Pieces
				KSP30
	809079	Chip ceramic capacitor	MCH215SL220JK	9
	809085	//	// 680JK	13
	809091	//	// 221JK	10
	809096	//	// 561JK	4
	809099	//	MCH212F104ZK	66
	809100	//	EMK316F225Z	8
	808945	Chip Bead	BK2125HS601-T	65

HEP-010~013(1), 010~014(2), 010~014(3) ASS'Y

No.	Code No.	Part Name	Description	Pieces		
				KSP10	KSP20	KSP30
	802050	Module resistor	RML S8-103J	7	7	7
	808978	//	RML S6-103J	1	1	1
	802905	Surge protector	DSP-301N	4	4	4
	804572	Connector	B5B-PH-K-S	1	1	1
	804643	Slide VR	RS30111AC 10KB	3	3	3
	805736	MIDI connector	YKF51-5046	1	1	1
	805764	Coil	SBT-0160W			4
	806005	Cable holder	51048-1200	2	2	2
	806241	//	51048-0600	1	1	1
	806242	//	51048-0800	3	3	3
	808981	//	51048-0500	1	1	1
	809278	//	51048-0200		1	1
	808976	Slide VR	RS30112BC 10KB	1	1	1
	808979	Pin Jack	YKC21-3045	2	2	2
	808980	Jack	HLJ4306-01-3070	2	2	3
	808982	Metal oxide film resistor	1W 680 CRH100X	4	4	4
	809177	J Read SMV2J-C	8X180P2.0-S5	1	1	1
	808583	//	8X100P2.0-S5	1	1	
	809299	//	12X190P2.0-S5			1
	806988	//	12X130P2.0-S5	1		
	809301	//	12X350P2.0-S5	1		1
	809180	//	12X390P2.0-S5	1		
	809302	//	6X760P2.0-S5		1	1
	909182	//	6X710P2.0-S5	1		
	809303	//	5X850P2.0-S5		1	1
	809183	//	5X820P2.0-S5	1		
	809304	//	2X640P2.0-S5		1	1
	809333	//	12X470P2.0-S5		1	
	708825	Carbon film resistor	AT1/4WJ101	2	2	3
	708829	//	AT1/4WJ221	4	4	4
	708837	//	AT1/4WJ102	6	6	7

No.	Code No.	Part Name	Description	Pieces		
				KSP10	KSP20	KSP30
	708847	Carbon film resistor	AT/4WJ682	2	2	2
	801037	//	ATR20J101	3	3	3
	801045	//	ATR20J471	4	4	4
	801047	//	ATR20J681	49	49	51
	801049	//	ATR20J102	2	2	2
	801057	//	ATR20J472	2	2	2
	801061	//	ATR20J103	2	2	2
	806002	Tact switch	SOR-123HS	60	60	63
	808493	LED	SLN-210LTT12(P, N)	49	49	51
	808975	//	SLN-210MT	4	4	4
	809277	//	SLR-342VRF12		1	1
	808955	Ceramic capacitor	ATUP050SL330J	4	4	4
	808956	//	ATUP050B221K	14	14	19
	808958	//	APEP050F473Z	16	16	16
	808977	Electrolytic capacitor	RC2 6.3V 100 μ F	4	4	4
	809105	Film capacitor	ECQ-B1H 222JF	2	2	2
	809133	//	ECQ-V1H 474JM	2	2	2

HEP-006, 007(1)~(10)ASS'Y

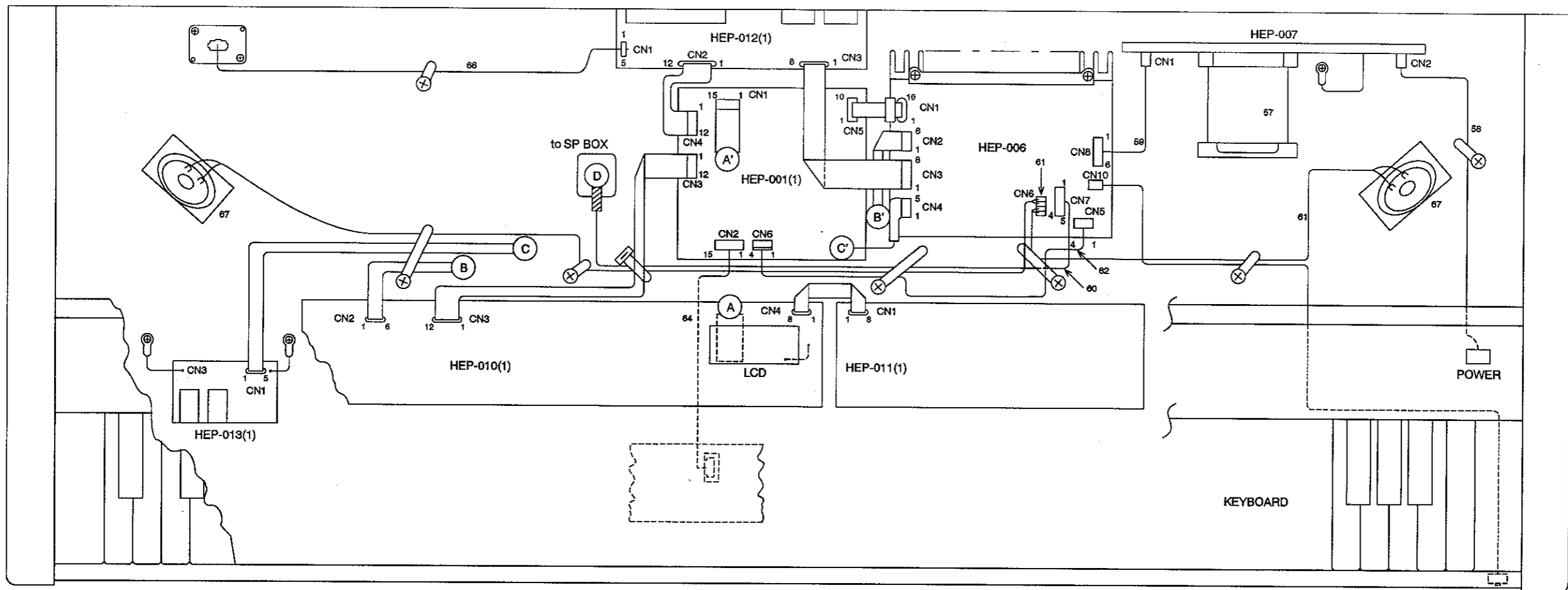
No.	Code No.	Part Name	Description	Pieces										
				(1)	(2)	(3)	(4)	(5)	(6)	(7)	(8)	(9)	(10)	
	711086	Pin housing	171825-4	1	1	1	1	1	2	2	2	2	2	2
	802906	Connector base pin	B4P-VH	1	1	1	1	1	1	1	1	1	1	1
	802907	//	B5P-VH	1	1	1	1	1	1	1	1	1	1	1
	802908	//	B6P-VH	2	2	2	2	2	2	2	2	2	2	2
	803428	//	B3P-VH	1	1	1	1	1	1	1	1	1	1	1
	804134	Ceramic	CS17FZ2GA103ZYAS	2	2	2	2	1	2	2	2	2	2	2
	808953	Relay	AJW5219	1	1	1	1	1	1	1	1	1	1	1
	805829	Relay	FBR46ND005-P	1	1	1	1	1	1	1	1	1	1	1
	806658	Metal oxide film resistor	2W 470 CRH200FH24	2	2	2	2	2	2	2	2	2	2	2
	806664	Wire trap	52147-0810	1	1	1	1	1	1	1	1	1	1	1
	807645	//	52147-0610	1	1	1	1	1	1	1	1	1	1	1
	808966	//	52147-0510	1	1	1	1	1	1	1	1	1	1	1
	809280	//	52147-0210	1					1	1	1	1	1	1
	806774	Cable holder	51048-1000	1	1	1	1	1	1	1	1	1	1	1
	808008	Earth pin	SNE75	3	3	3	3	3	3	3	3	3	3	3
	808971	Fuse	(A)TSC 250V 2.5A	2					2				2	
	808500	Fuse	(A)TSC 4A	2			2		2				2	
	804604	//	UL/CS MT4 2A 250V		1		2				1			
	808660	//	(UL) TSC 4A 125V		2						2			
	809174	//	UL/CS MT4 2.5A 250V		1						1			
	803628	//	NE SET 1A 250V			1		1				1		1

No.	Code No.	Part Name	Description	Pieces										
				(1)	(2)	(3)	(4)	(5)	(6)	(7)	(8)	(9)	(10)	
	804605	Fuse	NE SET 2A 250V			1		1			1		1	
	809175	//	NE SET 4A 250V			1		1			1		1	
	808965	AC inlet	M17 70-A(INL-3)	1	1	1	1	1	1	1	1	1	1	1
	809145	Heat sink	HPFB-0015	1	1	1	1	1	1	1	1	1	1	1
	809281	Insulation sheet	HPFZ-0014	1	1	1	1	1	1	1	1	1	1	1
	809305	Coil	SKP2-50							1	1	1	1	1
	808968	Electrolytic capacitor	35V4700MF	2	2	2	2	2	2	2	2	2	2	2
	808967	//	16V6800MF	1	1	1	1	1						
	809173	//	BP50V1R5M	2	2	2	2	1	2	2	2	2	2	2
	809246	//	16V10000MF							1	1	1	1	1
	707439	//	50V 1MF(RT)							1	1	1	1	1
	707415	//	16V 10MF(//)	1	1	1	1	1						
	800660	//	50V 10MF(//)	5	5	5	5	5	5	5	5	5	5	5
	800661	//	50V 47MF(//)	2	2	2	2	2	2	2	2	2	2	2
	802799	//	16V 10MF(BP)	12	12	12	12	12	14	14	14			14
	804991	//	10V 100 RE210V101	3	3	3	3	3	3	3	3	3		3
	805992	//	6.3V 1000MF(RT)							1	1	1	1	1
	808969	//	50V 100MF	1	1	1	1	1	1	1	1	1	1	1
	808970	//	16V 100MF	2	2	2	2	2	3	3	3	3	3	3
	801045	Carbon resistor	ATR20J471	2	2	2	2	2	2	2	2	2	2	2
	801046	//	ATR20J561	2	4	4	4	4	2	2	2	2	2	2
	801047	//	ATR20J681	3	2	2	2	2	3	3	3	3	3	3
	801049	//	ATR20J102	4	2	2	2	2	4	4	4	4	4	4
	801050	//	ATR20J122	4	2	2	2	2	4	4	4	4	4	4
	801052	//	ATR20J182		4	4	4	4						
	801053	//	ATR20J222	2	2	2	2	2	2	2	2	2	2	2
	801054	//	ATR20J272	4					2	2	2	2	2	2
	801055	//	ATR20J332	6	6	6	6	6	6	6	6	6	6	6
	801057	//	ATR20J472	2	2	2	2	2	2	2	2	2	2	2
	801061	//	ATR20J103	10	10	10	10	10	14	14	14	14	14	14
	801064	//	ATR20J183	14	14	14	14	14	14	14	14	14	14	14
	801066	//	ATR20J273	4	4	4	4	4	4	4	4	4	4	4
	801067	//	ATR20J333	2	2	2	2	2	2	2	2	2	2	2
	801071	//	ATR20J683	2	2	2	2	2	4	4	4	4	4	4
	801073	//	ATR20J104						1	1	1	1	1	1
	801077	//	ATR20J224						2	2	2	2	2	2
	808954	Ceramic capacitor	ATUP050SL4R7K	2	2	2	2	2	2	2	2	2	2	2
	808955	//	ATUP050SL330J	2	2	2	2	2	2	2	2	2	2	2
	808956	//	ATUP050B221K	6	6	6	6	6	6	6	6	6	6	6
	808957	//	ATUP050B471K	2	2	2	2	2	2	2	2	2	2	2
	808958	//	ATEP050F473Z	6	6	6	6	6	10	10	10	10	10	10

No.	Code No.	Part Name	Description	Pieces											
				(1)	(2)	(3)	(4)	(5)	(6)	(7)	(8)	(9)	(10)		
	808963	Ceramic capacitor	CD11-B2GA471MYAS	2	2	2	2	2	2	2	2	2	2	2	2
	808959	Noncombustible resistor	F20-4R7J	6	6	6	6	6	6	6	6	6	6	6	6
	808960	//	F20-101J	6	6	6	6	6	8	8	8	8	8	8	8
	808961	//	F20-102J	2	2	2	2	2	2	2	2	2	2	2	2
	808962	//	F20-222J	4	4	4	4	4	4	4	4	4	4	4	4
	809101	Film capacitor	ECQ-B1H 102JF	2	2	2	2	2	2	2	2	2	2	2	2
	809103	//	ECQ-B1H 152JF		2	2	2	2							
	809105	//	ECQ-B1H 222JF	2					2	2	2	2	2	2	2
	809113	//	ECQ-B1H 103JF	2	2	2	2	2	2	2	2	2	2	2	2
	809116	//	ECQ-B1H 183JF	4	4	4	4	4	4	4	4	4	4	4	4
	809118	//	ECQ-V1H 273JM	2	2	2	2	2	2	2	2	2	2	2	2
	809121	//	ECQ-V1H 473JM						2	2	2	2	2	2	2
	809123	//	ECQ-V1H 683JM	2	2	2	2	2	2	2	2	2	2	2	2
	809124	//	ECQ-V1H 823JM	4	4	4	4	4	4	4	4	4	4	4	4
	809125	//	ECQ-V1H 104JM	6	6	6	6	6	7	7	7	7	7	7	7
	809127	//	ECQ-V1H 154JM	2	2	2	2	2	2	2	2	2	2	2	2
	809129	//	ECQ-V1H 224JM	2	2	2	2	2	2	2	2	2	2	2	2
	809130	//	ECQ-V1H 274JM	2	2	2	2	2	2	2	2	2	2	2	2
	809136	//	ECQ-V1H 824JM	2	2	2	2	2	2	2	2	2	2	2	2
	808964	Fuse clip	H-0060	8	8	8	8	8	8	8	8	8	8	8	8

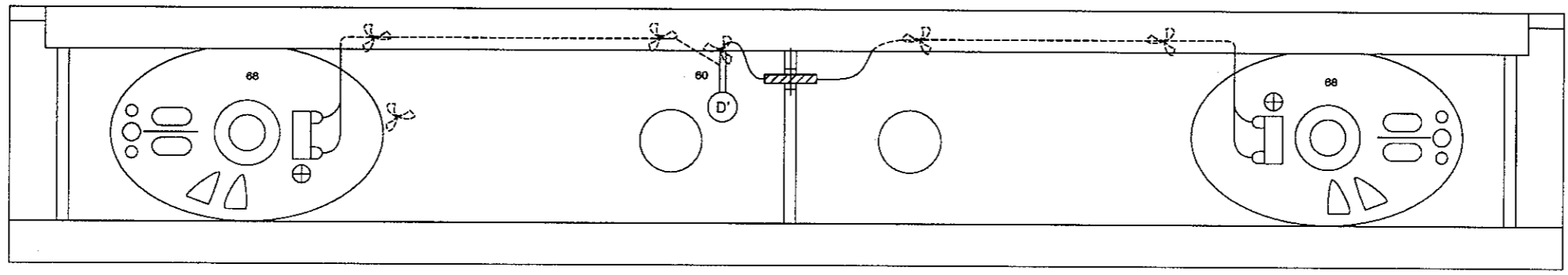
A B C D E F G H I

1 29. WIRING CONNECTION for KSP10,20 1



HEP-014
KSP20

SP BOX



2

3

4

5

6

7

2

3

4

5

6

7

A B C D E F G H I

1

30. WIRING CONNECTION for KSP30

1

2

3

4

5

6

7

2

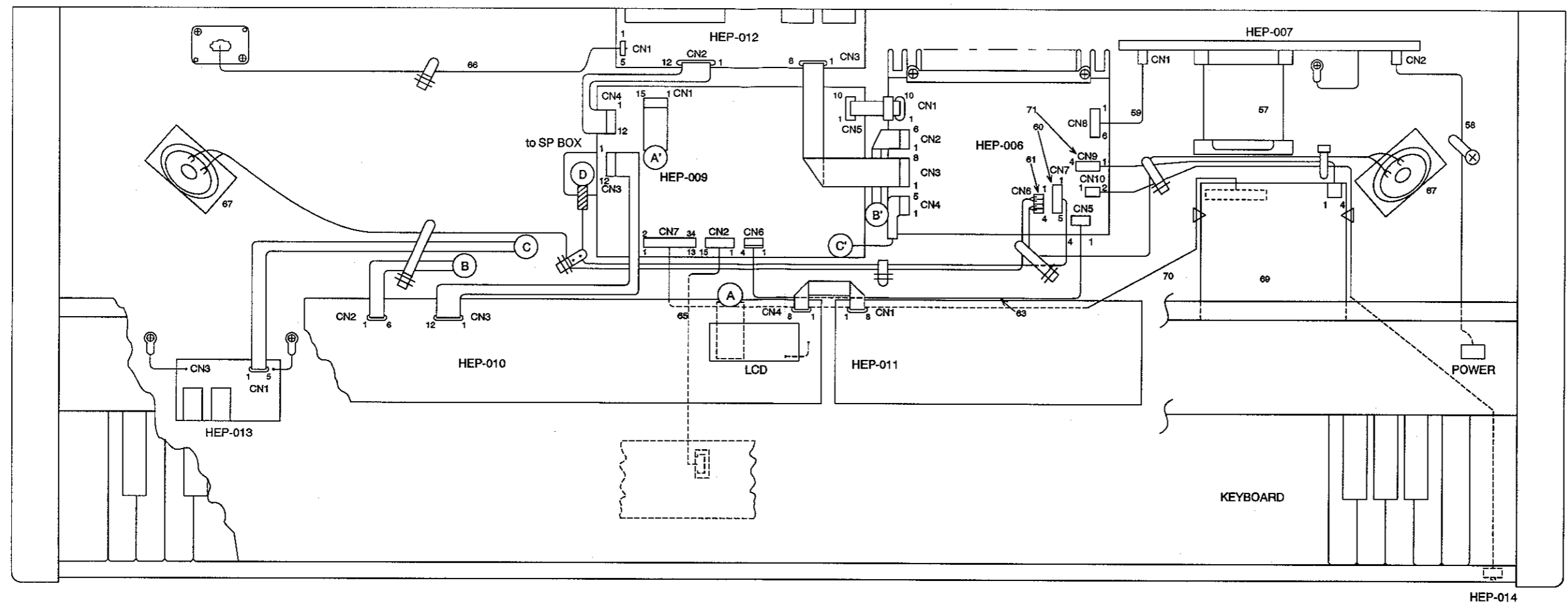
3

4

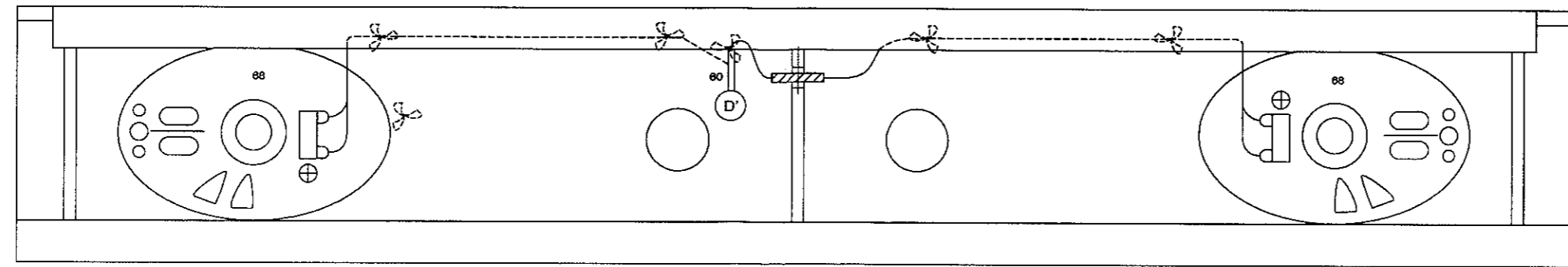
5

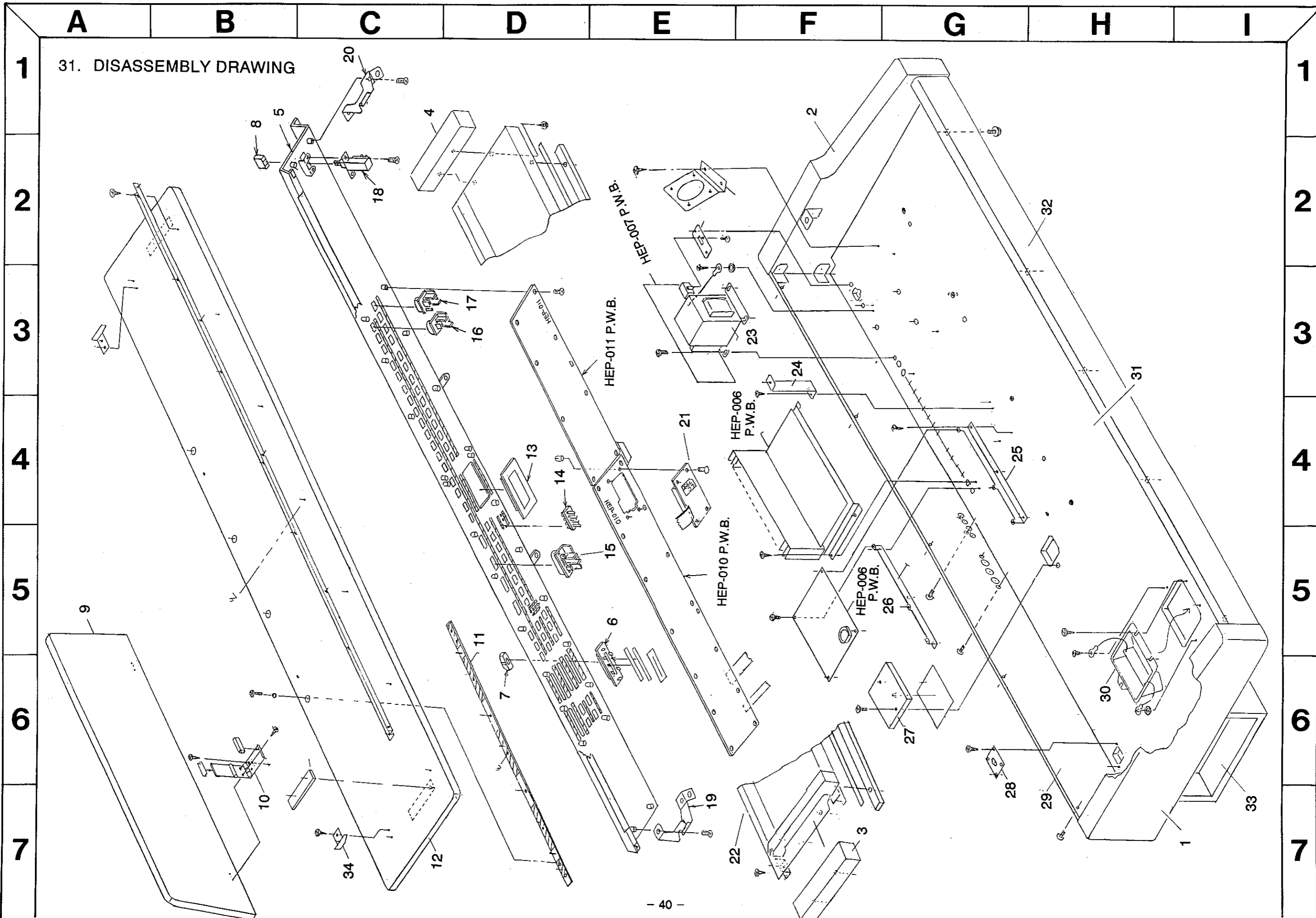
6

7



SP BOX





A

B

C

D

E

F

G

H

I

1

STAND

PEDAL

1

2

2

3

3

4

4

5

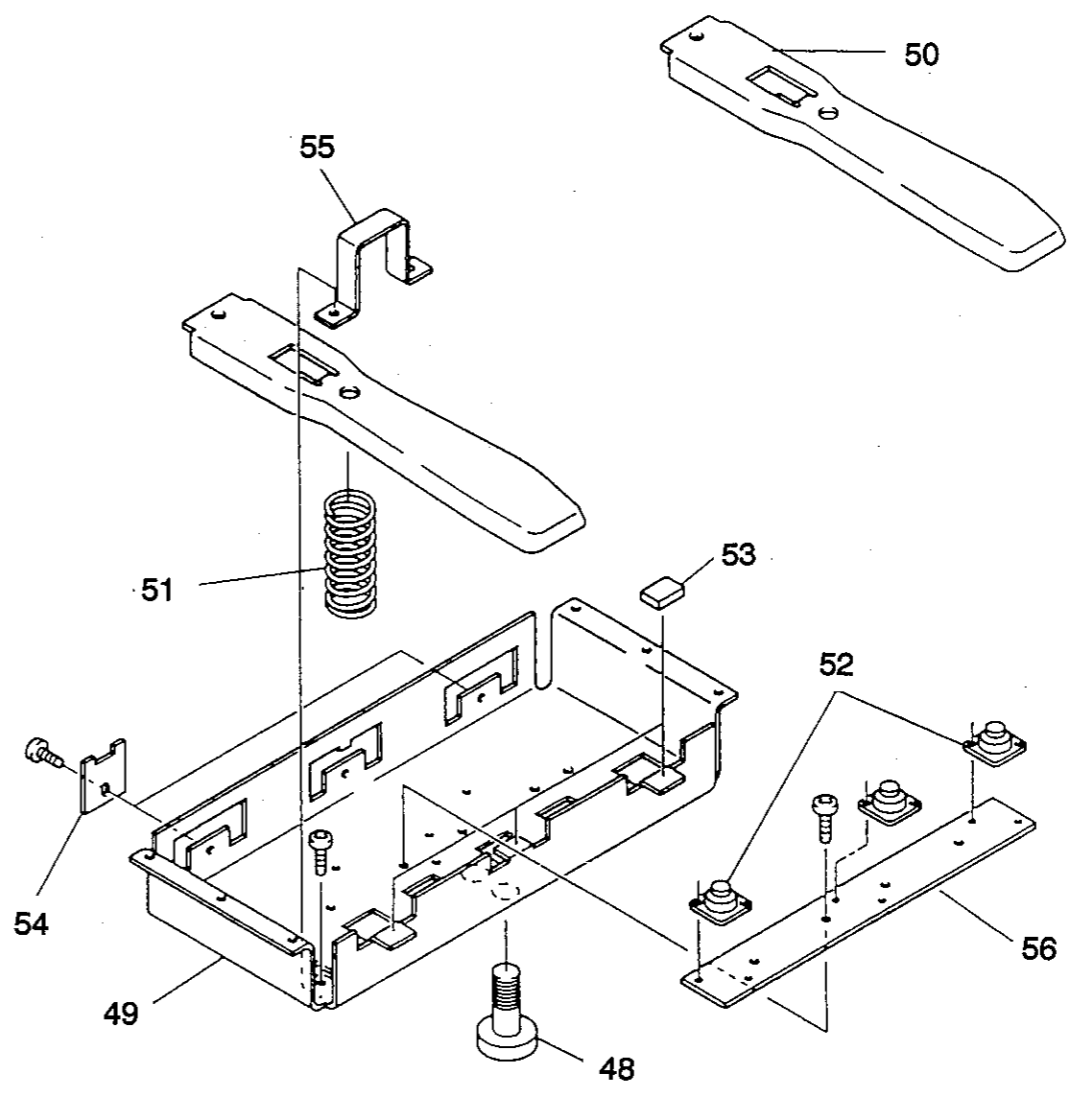
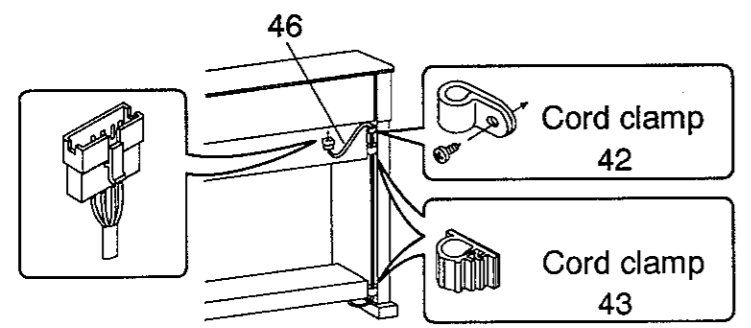
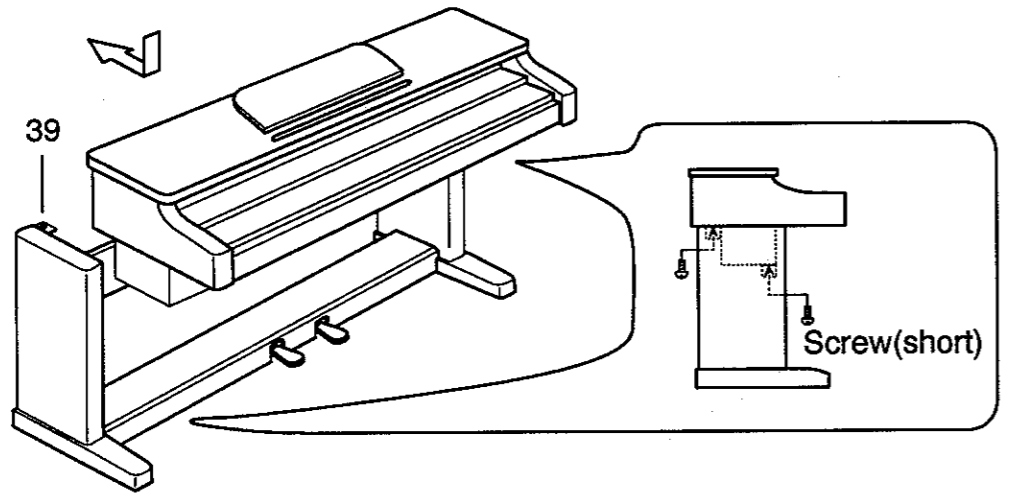
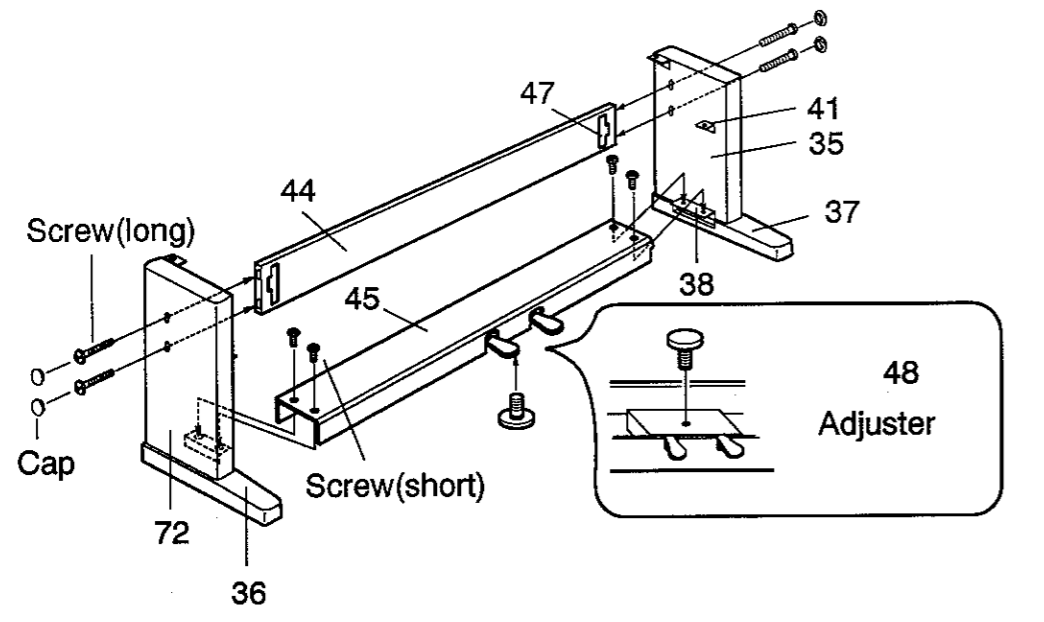
5

6

6

7

7





1
2
3
4



5
6



